

Thank you for purchasing PLANET PCI Express 10 Gigabit Ethernet adapter. It supports x4, x8 PCI Express interfaces. The 10 Gigabit Ethernet adapter provide a highly cost-effective solution to upgrading to the 10 Gigabit network with your existing Ethernet infrastructures.

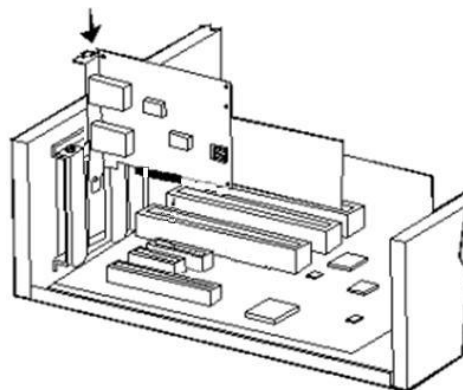
## Package Content

- 1 x ENW-9800
- 1 x Quick Installation Guide
- 1 x CD-ROM

## Hardware Installation

- Step 1:** Please turn off your PC.
- Step 2:** Remove any metal decorations from your hands and wrists.
- Step 3:** Remove the cover from your PC.
- Step 4:** Locate an empty PCI Express slot and remove the corresponding back plate. Save the screw for use in Step 6.

- Step 5:** Carefully insert the 10 Gigabit Ethernet Adapter into the chosen slot and press firmly with proper push to ensure it is fully seated in the slot.
- Step 6:** Secure the 10 Gigabit Ethernet Adapter with the screw you saved in step 4.
- Step 7:** Replace the PC cover.
- Step 8:** Power on your PC and refer to next section to install driver.

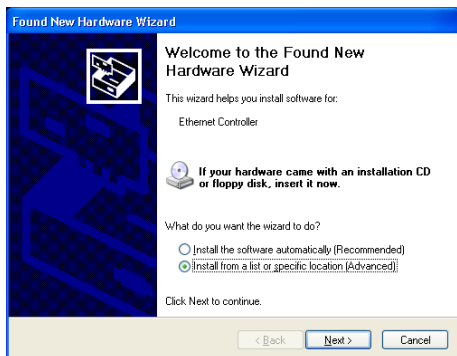


**Note** This 10 Gigabit Ethernet card supports x8, x4 PCI Express interface. For getting better performance, we suggest to install on x8 PCI Express interface.

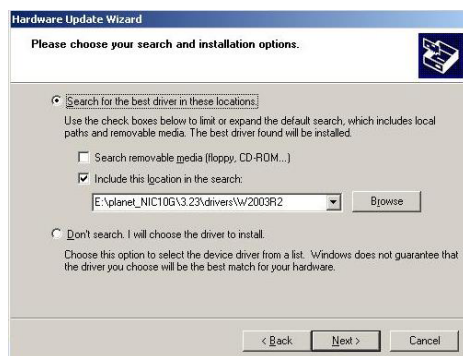
## Installation on Windows Server 2003R2

**Note** This operation is under Win2003R2, it is similar to Windows Server 2003 and Windows XP.

- 1. After installing ENW-9800 to your PC and boot up, Windows 2003R2 will detect it and ask you to install driver. Please select the second option and click **"Next"**.



- 2. Please select **"Include this location in the search"** and then click **"Browse"** to specify the driver location to install. (Assume **"E"** is your CD-ROM drive, the driver can be found in E:\planet\_NIC10G\3.23\drivers\W2003R2). Click **"Next"** to continue.



# Dual SFP+ PCI Express 10G Ethernet Adapter

ENW-9800 10x Speed to Gigabit Networks

www.planet.com.tw



## Quick Installation Guide



PLANET Technology Corp.  
2010-A14090-000



- Win2003R2 will show this dialog box to prompt you the driver has not passed Windows logo testing, please click **"Continue Anyway"**, then Win2003R2 will start to install the driver.



- Click **"Finish"** to complete the driver installation.



For more details, please refer to the manual of our bundle CD-ROM.