

VERIFY THE CONTENTS INSIDE PACKAGE BOX

The package box should contain the items indicated below plus MCU-1400/1900. If any item is missing or damaged, please contact the seller immediately



Quick Installation Guide



CD-ROM



Rail x 2

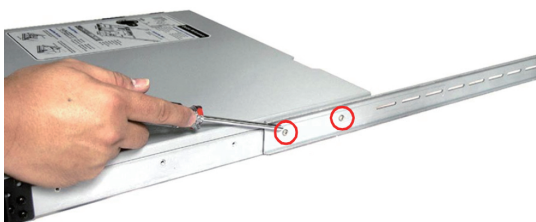


L-shape bracket x 2

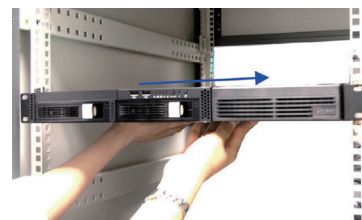


Power cord

STEP 1: Fasten 4 screws (2 on each side) to attach the rails onto the chassis



STEP 2: Mount the system onto the rack



Note: Be careful to avoid unit drop and get hurt in installation

STEP 3: Hold the system firmly and fasten the system to the rack

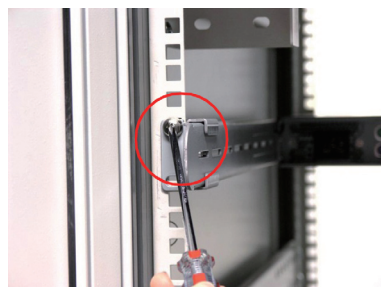


Note: Make sure that you hold the system firmly while fastening the system to the rack

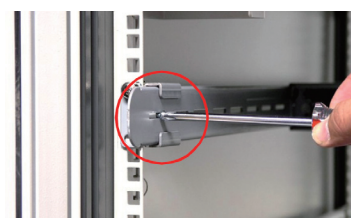
STEP 4: Mount the L-shape bracket onto the rail in the back of the system



STEP 5: Fasten the L-shape bracket to the rack

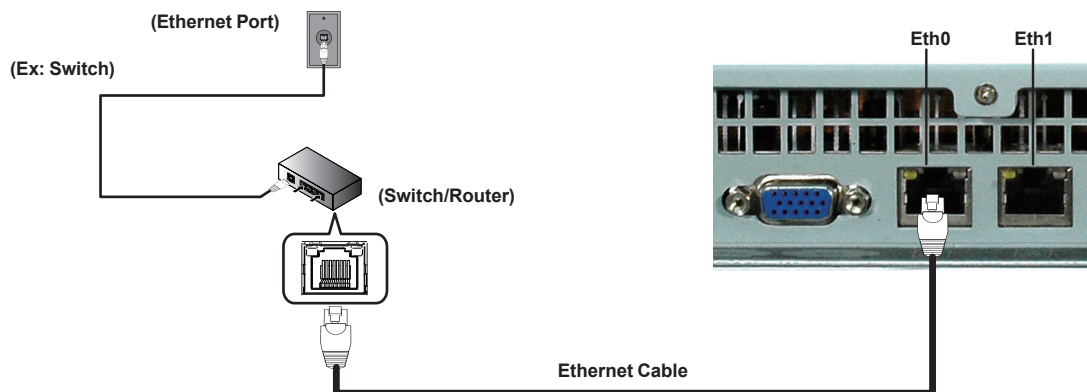


STEP 6: Fasten the L-shape bracket to the rail

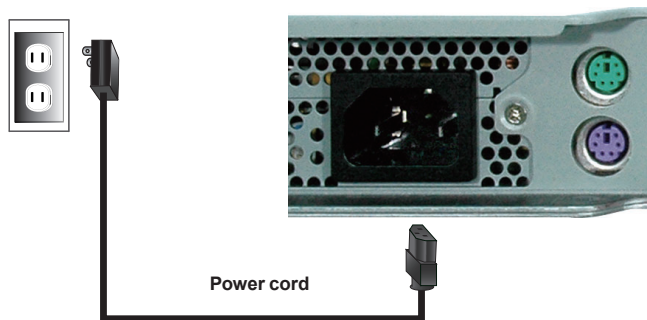


Note: Follow the above procedures in reverse order to dismount the system from the rack if necessary

STEP 7: Connect Ethernet cable to Switch / Router and Eth0 port



STEP 8: Connect Power cord



STEP 9: Press the Power button once to switch on the system



STEP 10: Wait for 3 minutes until system boot up properly, you may now open your web browser, and input <http://172.16.0.1> to logon MCU web configuration page.



Default username/password: admin/123

Default IP address: 172.16.0.1 (Eth0)

Note: Please refer to related chapter in user's manual CD for further configuring