

Thank you for purchasing PLANET PCI Express 10 Gigabit Ethernet adapter. It supports x4, x8 PCI Express interfaces. The 10 Gigabit Ethernet adapter provide a highly cost-effective solution to upgrading to the 10 Gigabit network with your existing Ethernet infrastructures.

1.Package Content

Check that your package contains the following items:

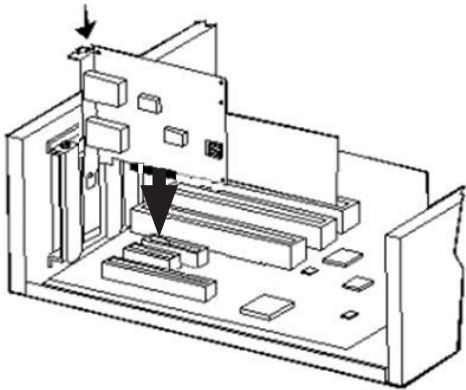
- 1 x 10G Ethernet Adapter
- 1 x Quick Installation Guide
- 1 x CD-ROM

Please contact the seller if any of the items is missing or damaged.



Be sure to retain your proof of purchase, as it is required to receive warranty service.

- 1 -



This 10 Gigabit Ethernet card supports x8, x4 PCI Express interface. For getting better performances, we suggest to install on x8 interface.

- 3 -

2.Hardware Installation

- Step 1:** Please turn off your PC.
- Step 2:** Remove any metal decorations from your hands and wrists.
- Step 3:** Remove the cover from your PC.
- Step 4:** Locate an empty PCI Express slot and remove the corresponding back plate. Save the screw for use in Step 6.
- Step 5:** Carefully insert the 10 Gigabit Ethernet Adapter into the chosen slot and press firmly with proper push to ensure it is fully seated in the slot.
- Step 6:** Secure the 10 Gigabit Ethernet Adapter with the screw you saved in step 4.
- Step 7:** Replace the PC cover.
- Step 8:** Power on your PC and refer to next section to install driver.

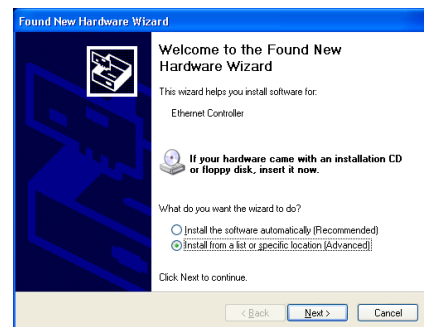
- 2 -

3.Installation on Windows Server 2003R2



The following installation uses ENW-9801 and operates under Windows 2003R2. Procedures will be similar to Windows Server 2003 and ENW-9800. The ENW-9800 installation procedure is the same with ENW-9801.

1. After installing ENW-9801 to your PC and boot up, Windows 2003R2 will detect it and ask you to install driver. Please select the second option and click.

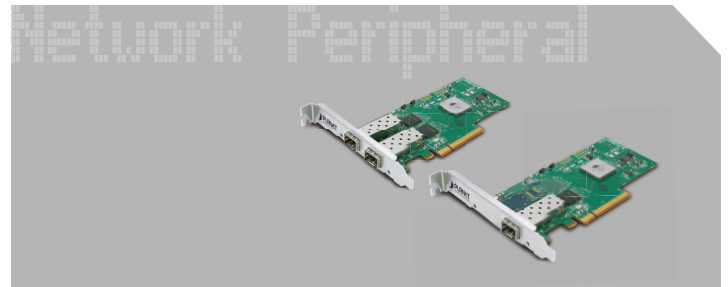


- 4 -



ENW-980X Series PCI Express 10G Ethernet Adapter

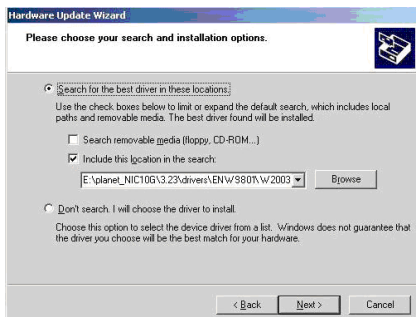
10x Speed to Gigabit Networks



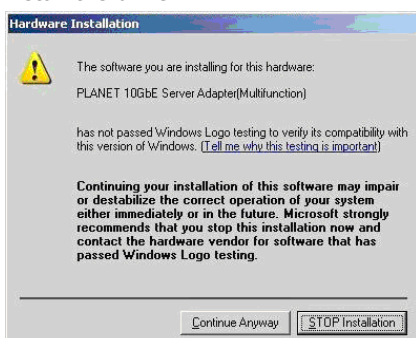
Quick Installation Guide



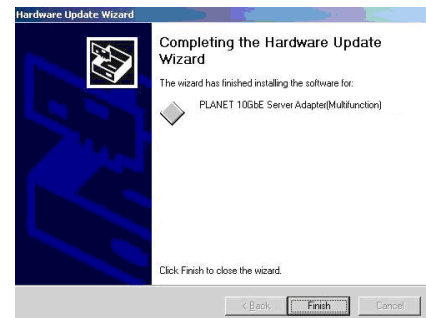
- Please select **"Include this location in the search"** and then click **"Browse"** to specify the driver location to install. (Assume **"E"** is your CD-ROM drive, the driver can be found in E:\planet_NIC10G\3.23\drivers\ENW-9801\W2003R2). Click **"Next"** to continue.



- Windows 2003R2 will show this dialog box to prompt you the driver has not passed Windows logo testing, please click **"Continue Anyway"**, then Windows 2003R2 will start to install the driver.



- Click **"Finish"** to complete the driver installation.



For more details, please refer to the manual of our bundle CD-ROM.