

8-Port KVM Switch



PLANET's KVM switches are designed to enable you to centrally control multiple computers by using just one keyboard, video display and mouse. The KVM switch solution frees users more table and rack space in addition to saving the cost of multiple keyboards, mice and monitors.

The PLANET 8-Port KVM Switch, KVM-810, supports up to 8 PCs by itself and is capable of cascade controls up to 64 computers from the CPU port. Just connect the cable and turn on the power, up to **64** sets of personal computers can be controlled by a keyboard, a mouse and a monitor without installing any additional interface card or software. The administrator can switch between computers by just pressing a button or the pre-defined hotkey on the keyboard. PLANET KVM switches are the perfect choice for home, office, server farm, or testing sites where there is a need to manage multiple computers efficiently and easily.

The KVM-810 utilizes advanced microprocessor emulation to intelligently manage each KVM port. This allows simultaneous boot-up of all the attached computers. Caps Lock, Num Lock and Scroll Lock status can also be saved for each computer. The KVM-810 supports **VGA, SVGA** and MultiSync monitors at up to **1920 x 1440** resolutions.

The KVM-810 also fully supports various models of PS/2 and USB mice manufactured by Logitech, Microsoft and IBM as well as compatible PS/2 and USB mice of other brands. The KVM supports the PS/2 and USB Keyboard Port of the CODE SET1/2/3 and further allows you to use the KVM for all kinds of servers and PCs.

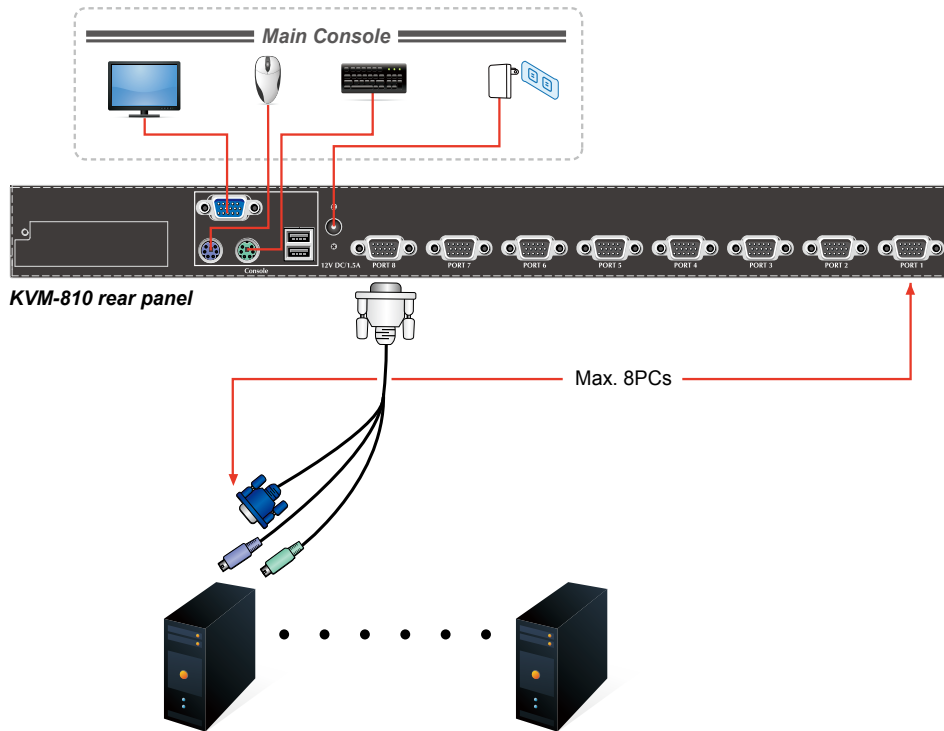
KEY FEATURES

- Standalone machine controls up to 8 sets of PCs
- Cascade controls up to 64 computers from single console
- On Screen Display (OSD) supported – switch PCs by just using the hot key, clicking mouse or pushing button on the front panel
- Supports Monitor resolution of up to 1920X1440, bandwidth 60Hz
- Auto scan mode for monitoring PCs
- Supports PS/2 and USB compatible mouse / trackball
- Front panel status LEDs give a clear indication of the active PCs
- Complies with the height of the 1U chassis specification and installable with a hanging stand into a 19" chassis system
- Requires no additional software or hardware
- Supports hot plug; not necessary to turn off the original system regardless of a newly installed PC or KVM

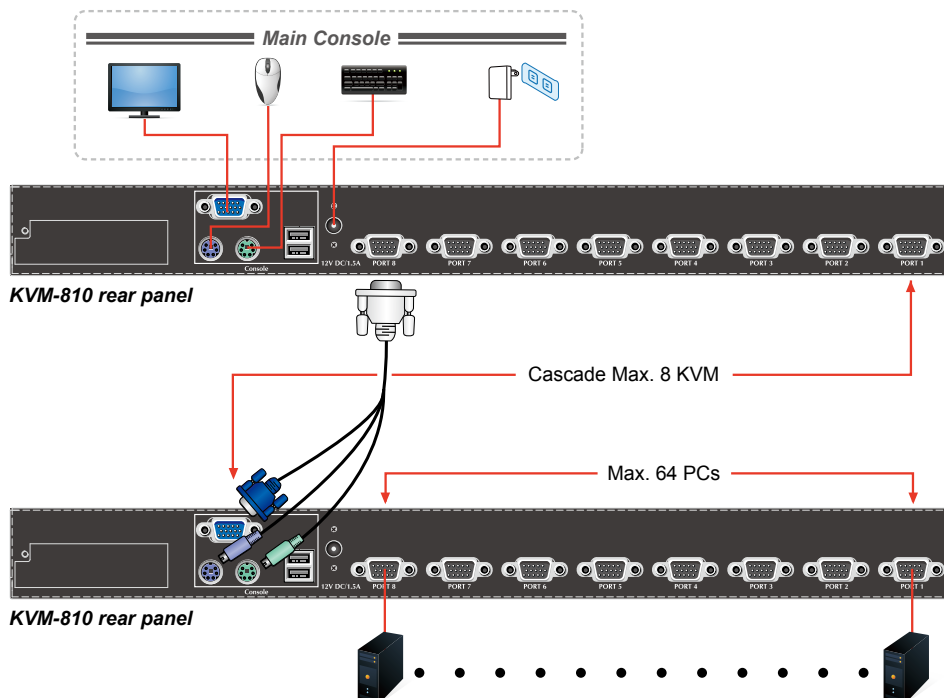
APPLICATIONS

PLANET's KVM switch family is the most cost-effective and simple solution of controlling a group of PCs in the network. Multiple computers can be managed via only one single set of monitor, keyboard and mouse directly. No software drivers or system configuration are required, iMac, Power Mac and Sun systems can also be supported by using PLANET's innovative USB-PS2 adapter. Switching among computers is achieved simply by pushing a button on the KVM switch or a pre-defined hotkey on the keyboard or via the KVM-810's On Screen Display (OSD) function.

Standalone Operation



Star-cascade Operation



SPECIFICATION

Product	8-Port KVM Switch	
Model	KVM-810	
Hardware Interface		
PC Port	8	
PC Port Connector (All Female Type)	Keyboard	3-in-1 HDDB 15 pin Female
	Mouse	
	Monitor	
Console	1	
Console Connection	Keyboard	Mini DIN 6 pin Female
	Mouse	Mini DIN 6 pin Female
	Monitor	HDDB 15 pin Female
	Mouse USB (Female)	USB (TYPE A)
	Keyboard USB (Female)	USB (TYPE A)
Control Feature		
Max. PC Connections	64(by cascade 8 KVM-810)	
Port Selection Keys	8	
PC Selection	On Screen Display Menu / Hot Key / Button	
Video Resolution	Up to 1920X1440 60Hz	
Hardware Specification & Environment		
Dimension (W x D x H)	440 x 185 x 42 mm	
Weight	2.75kg	
Environmental Specification	Operating temperature: 5 ~ 40 Degree C	
	Storage temperature: -20 ~ 60 Degree C	
	Relative humidity: 0 ~ 80% (non-condensing)	
Power Requirement	12V DC, 1.5A	
Certification	FCC, CE	

ORDERING INFORMATION

KVM-810	8-Port KVM Switch
----------------	-------------------

RELATED INFORMATION

KVM-1610	16-Port KVM Switch
DKVM-1708	17" LCD Drawer KVM Console with 8 Ports Combo-Free Module
DKVM-1716	17" LCD Drawer KVM Console with 16 Ports Combo-Free Module

AVAILABLE MODULES

KVM-DCB-1.8	1.8 Meter 1-to-3 KVM Cable
KVM-DCB-3	3 Meter 1-to-3 KVM Cable
KVM-DCB-5	5 Meter 1-to-3 KVM Cable