

Thank you for purchasing PLANET PCI Express 10 Gigabit Ethernet adapter. It supports x4, x8 PCI Express interfaces. The 10 Gigabit Ethernet adapters provide a highly cost-effective solution to upgrading to the 10 Gigabit network with your existing Ethernet infrastructures.

1. Package Content

Check that your package contains the following items:

- 1 x 10G Ethernet Adapter
- 1 x Quick Installation Guide
- 1 x CD-ROM User's Manual / Driver
- 1 x Low Profile Bracket

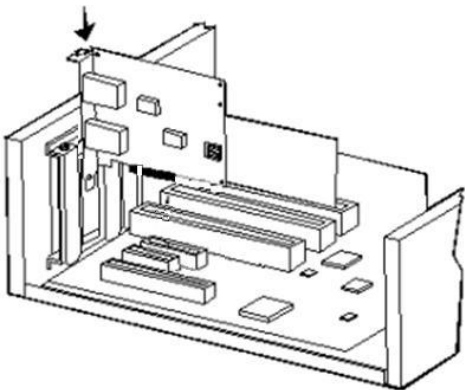
Please contact the seller if any of the items is missing or damaged.



Be sure to retain your proof of purchase, as it is required to receive warranty service.

- 1 -

Step 8: Power on your PC and refer to next section to install driver.



This 10 Gigabit Ethernet card supports x8, x4 PCI Express interface. For getting better performance, we would prefer to slot on x8 PCI Express interface.

- 3 -

2. Hardware Installation

- Step 1:** Please turn off your PC.
- Step 2:** Remove any metal decorations from your hands and wrists.
- Step 3:** Remove the cover from your PC.
- Step 4:** Locate an empty PCI Express slot and remove the corresponding back plate. Save the screw for use in Step 6.
- Step 5:** Carefully insert the 10 Gigabit Ethernet Adapter into the chosen slot and press firmly with proper push to ensure it is fully seated in the slot.
- Step 6:** Secure the 10 Gigabit Ethernet Adapter with the screw you saved in step 4.
- Step 7:** Replace the PC cover.

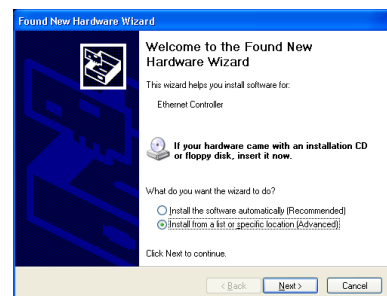
- 2 -

3. Installation on Windows Server 2003R2



The following installation uses ENW-9801 and operates under Windows 2003R2. The ENW-9802 installation procedure is the same as ENW-9801.

1. Installing ENW-9801 to your PC and boot up, the Windows 2003R2 will detect it while ask you to install driver. There has two options, please select Second option of **"Install from a list of specific location (Advanced)"** and press Next button.



- 4 -

ENW-980X Series PCI Express 10G Ethernet Adapter

10x Speed to Gigabit Networks

www.planet.com.tw

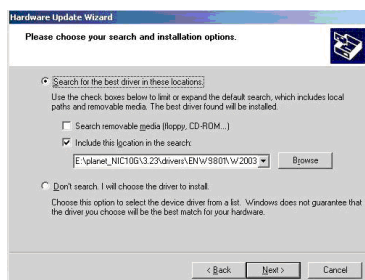
Quick Installation Guide



PLANET Technology Corp.
2010-A14090-003



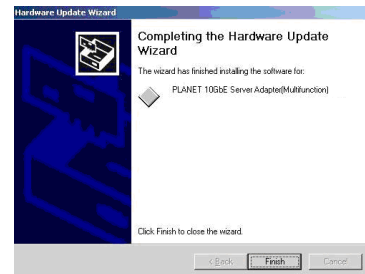
- Then select **"Include this location in the search"** and click **"Browse"** to specify the driver location to install. (Assume **"E"** is your CD-ROM drive, the driver can be found in E:\planet_NIC10G\3.23\drivers\ENW-9801\W2003R2). Click **"Next"** to continue.



- Win2003R2 will show this dialog box to prompt you the driver has not passed Windows logo testing, please click **"Continue Anyway"**, then Win2003R2 will start to install the driver.



- Click **"Finish"** to complete the driver installation.



For more details, please refer to the manual of our bundle CD-ROM.