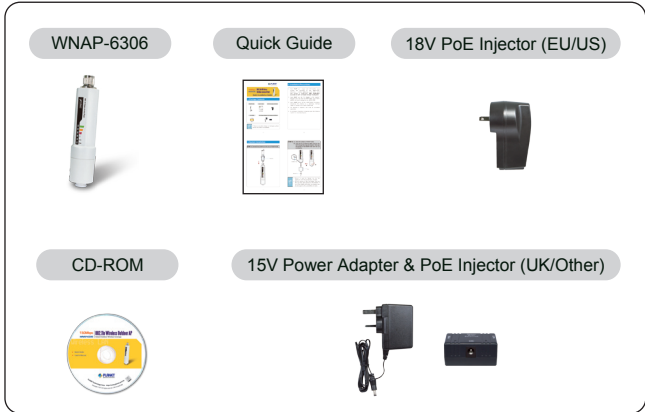


**150Mbps
WNAP-6306** | **802.11n Wireless
Outdoor Access Point**

Quick Installation Guide



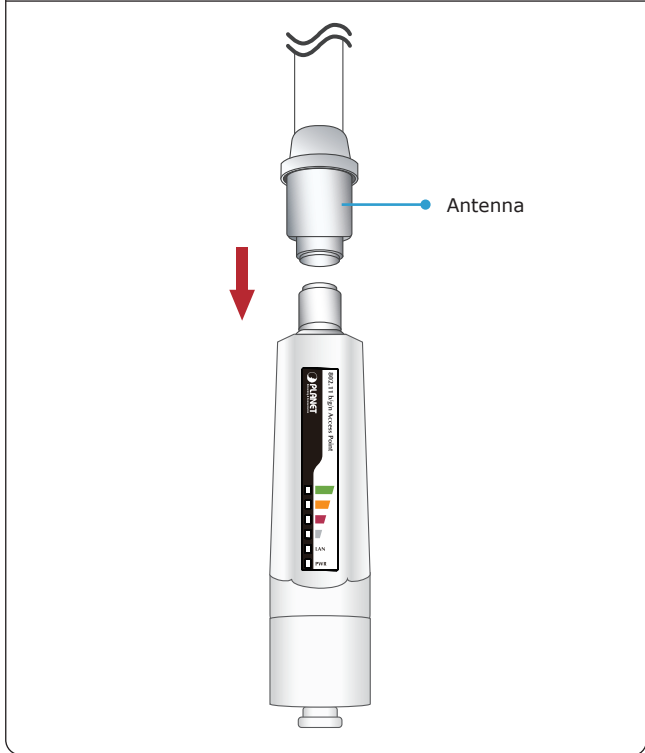
1. Package Contents



Note If there is any item missed or damaged, please contact the seller immediately.

3. System Installation

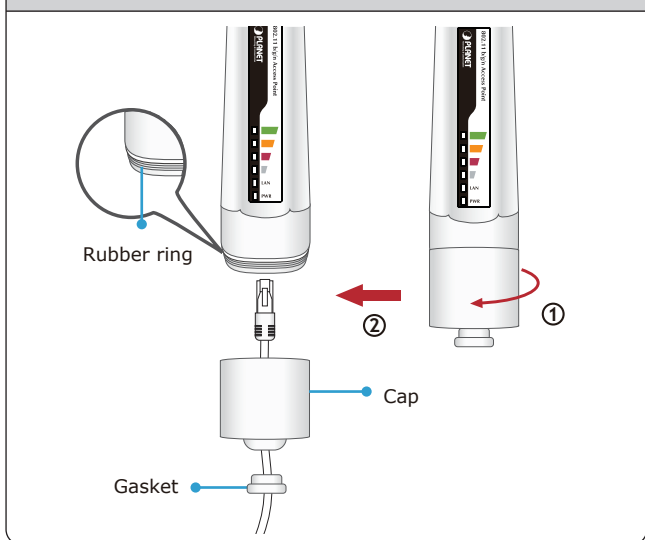
STEP 1: Connect the Antenna to the top of WNAP-6306.



2. Installation Precautions

1. Users **MUST** use a proper and well-installed surge arrestor and grounding kit with WNAP-6306, otherwise, a random lightning could easily cause fatal damage to WNAP-6306. **EMD (Lightning) DAMAGE IS NOT COVERED UNDER WARRANTY.**
2. Users **MUST** use the "AC Adapter & PoE Injector" shipped in the box with the WNAP-6306. Use of other options will cause damage to the WNAP-6306.
3. Users **MUST** power off the WNAP-6306 first before connecting the antenna to it, otherwise, damage might be caused to the WNAP-6306 itself.
4. The Antenna is required, and must be purchased separately.
5. No enclosure mounting is required, just the Antenna need to be mounted properly.

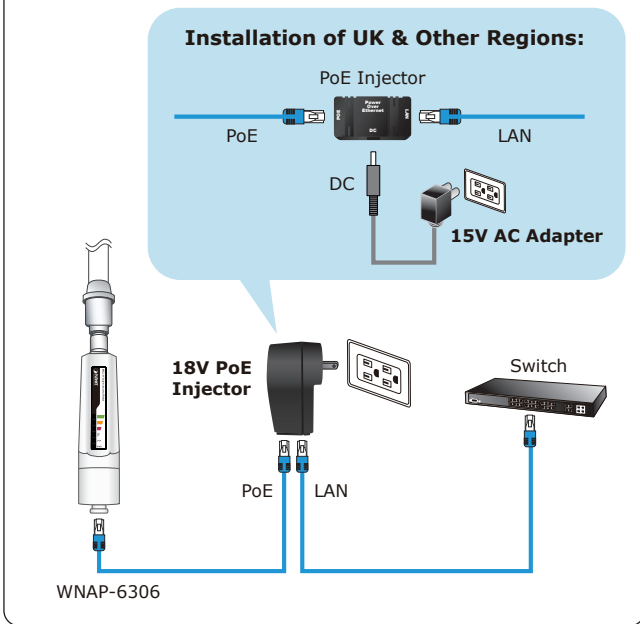
STEP 2: (1) Open the bottom of WNAP-6306.
(2) Plug the RJ-45 Ethernet cable into the LAN Port through the Cap and Gasket. Then seal the bottom of the WNAP-6306 with the Cap and Gasket.



Note

1. Ensure to pack the Gasket into the Cap tightly to avoid the penetration of water.
2. Do not remove or lose the Rubber ring that fits over the spiral groove on the bottom of the WNAP-6306, otherwise, the product may be damaged by the penetration of water.

- STEP 3:** (1) Plug the other side of the RJ-45 cable in the STEP 2 into the **PoE** port of the PoE Injector.
- (2) Plug another RJ45 cable into the **LAN** port of PoE Injector, and the other side plug into the **LAN** port of PC or Switch.
- (3) Plug the 18V PoE Injector into the Power Outlet. For UK and other regions, you need to supply the power by the 15V AC Adapter.

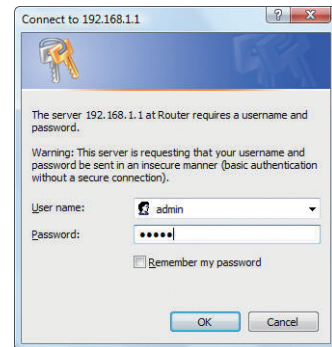


- 5 -

4. Web Login

A computer with wired Ethernet connection to the WNAP-6306 is required for the first-time configuration.

1. Assign a static IP address to your PC which should be in the same network segment with the WNAP-6306. As the default IP address of the WNAP-6306 is 192.168.1.1, you may choose from 192.168.1.2 to 192.168.1.254. Then click **OK**.
2. Open the web browser on your PC, key in the IP address (**192.168.1.1**) of the WNAP-6306 in the address bar, and then enter.
3. The default User name and Password are both **"admin"**. Enter them and then click **OK**.



- 6 -

Default IP Address: **192.168.1.1**
 Default Username: **admin**
 Default Password: **admin**
 Default SSID: **default**

4. Now, you can see the Web management UI of the WNAP-6306.

PLANET 802.11n Wireless Outdoor Access Point WNAP-6306

System Information
 System Log
 Wireless Management
 Wireless Setup
 Multiple AP Setup
 Wireless LED Thresholds
 LAN Setup
 Applications & Game
 Routing
 System Management

LAN IP Address **DHCP Server** **DHCP Client Info**

DHCP Server Setup

DHCP Server Status: Enable Disable

IP Address Pool: 192.168.1.2 - 192.168.1.63

Lease Time(S): 86400 (60-2592000)Seconds

DHCP IP Address Reserving

Auto Setup

ID	IP Address	MAC Address	Del
1	192.168.1.3	00:30:4f:ff:22:w3	Del
2	192.168.1.4	00:30:4f:ff:22:w4	Del

Items show in every single page 3 Apply 1 Total 1 Pages

DHCP Server
 Keep the default setting "Enable", so router is able to use DHCP function. If a DHCP server has already existed in the network, please select "Disable".
 More.....

- 7 -

FURTHER INFORMATION

The above steps introduce simple installations and configurations for WNAP-6306. For further configurations of different operation modes, please refer to the user's manual in the CD. If you have further questions, please contact the local dealer or distributor where you purchased this product.

2011-E10440-000

- 8 -