

## ***Table of Contents***

<b>Chapter 1 Introduction</b>	<b>1</b>
1.1 Features	1
1.2 Package Contents	1
1.3 Technical Specifications	2
<b>Chapter 2 Installation</b>	<b>3</b>
<b>Chapter 3 Troubleshooting</b>	<b>5</b>



---

## ***Chapter 1***

### ***Introduction***

The KVM-E500 is using a Category 5 cable to extend the distance between control console and a computer system. The maximum extension distance can be up to 500 feet (150m). The KVM-E500 is guaranteed to provide high video resolution to 1280 x 1024 even using 500 feet CAT5 cable.

The KVM-E500 is the ideal solution for isolated server rooms, test sites, or secure systems where the computers ought to keep away from the public. No software is required, and Plug & Play installations reduce the efforts while deploying KVM-E500 to work field.

#### ***1.1 Features***

- Use CAT5, CAT5e, or CAT6 Ethernet cable to connect Transmitter and Receiver units
- Extension distance is up to 500 feet (150m)
- High video resolution up to 1280 x 1024
- The provided local and remote consoles allow users to perform the management nearby or faraway
- No software is required
- Plug and Play installation

#### ***1.2 Package Contents***

KVM-E500 Transmitter x 1

KVM-E500 Receiver x 1

3 feet 3-in-1 KVM cable x 1

Quick Installation Guide x 1

Power Adapter x 1

### 1.3 Technical Specifications

	Transmitter	Receiver
Console port connector (all female type)	PS/2 keyboard port	PS/2 keyboard port
	PS/2 Mouse port	PS/2 Mouse port
	VGA port	VGA port
PC port connector (all female type)	PS/2 keyboard port	PS/2 keyboard port
	PS/2 Mouse port	PS/2 Mouse port
	VGA port	VGA port
RJ-45 port	1	1
Cable type	TIA/EIA-568, Category 5/5E/6 cable	
Maximum cable length	500 feet (150m)	
LED	Transmitter: Power, Status Receiver: Local, Remote	
Knobs (for VGA tuning)	-	1
VGA resolution	Up to 1280 x 1024	
Dimensions (L x W x H)	111.5 x 87 x 36mm	118 x 81 x 41mm
Weight	130g	129g
Power	-	9V DC, 500mA
Regulatory compliance	FCC, CE	

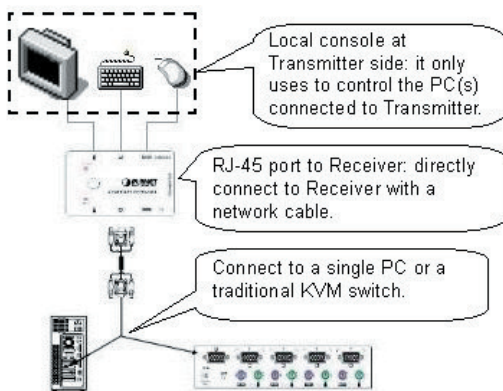
---

## **Chapter 2**

### **Installation**

Before installation, please make sure all of peripherals and computers have been turned off.

1. Using the included KVM cable, connect one of the male VGA connectors to a computer or a KVM switch.
2. Connect the PS/2 connectors to the keyboard and mouse ports. Please pay attention to which cable connects to which port.
3. Connect the other end of the KVM cable to the PC side of the KVM-E500 Transmitter. If you want to have a local console, you can connect a set of keyboard/mouse/monitor to the CONSOLE side of KVM-E500 Transmitter. However, this console can only control the PCs those connect to Transmitter.

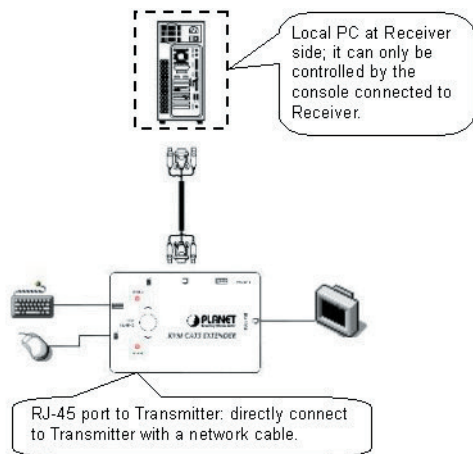


4. Connect a set of monitor/keyboard/mouse to the CONSOLE side of KVM-E500 Receiver. You can also connect a PC to the PC side of Receiver to share this local console. Press "Ctrl + Alt + C" to switch the console between local PC and the remote Transmitter.

 NOTE:

Please avoid using a specialized keyboard or mouse on the KVM-E500.

---



5. Use a CAT5 cable to connect the Transmitter and Receiver. If the cable length is over 300 feet, please adjust the DIP switch 1 and 2 of the Transmitter to ON position.
6. Connect the power adapter to KVM-E500 Receiver.
7. Power on the computers.
8. The video quality is adjustable in remote console by turning the VGA TUNING knob to get the optimal resolution.

---

## ***Chapter 3***

### ***Troubleshooting***

1. No video signal is displayed on the monitor.
  - 1.1 Please ensure all of VGA cables & connector and CAT5 cable & connector are securely connected.
  - 1.2 VGA cable was not attached to computer during boot up process. Please make sure the VGA cable is attached and reboot the computer.
  - 1.3 Please ensure the power adapter is plugged into the Receiver.
2. Video signal is foggy or un-cleared on the screen, please check VGA connector, or the VGA resolution is too high for the length of cable being used. If the issue is related to VGA resolution, please shorten the CAT5 cable length or lower the VGA resolution. It is highly recommended to use "optimal CAT5 cable length" to get the best video quality and don't waste unnecessary CAT5 cable.



---

The highest VGA resolution is up to 1280X1024 (CAT5 cable length up to 500 feet approximately. Use a shorter cable will not make the VGA resolution become higher.)

---

3. There is an error message: keyboard or Mouse not found on the screen. Please make sure PS/2 cable and connector is well seated.
4. For USB computers like PC, MAC or SUN Microsystems, please apply USB to PS2 converter to KVM-E500.
5. The computer boot up fine, but keyboard doesn't work
  - 5.1 Make sure the keyboard works when directly plugged into the computer.
  - 5.2 Try a different keyboard, but use only 101, 102 or 104-key keyboard.
6. The Mouse is not detected during PC boot up.
  - 6.1 Make sure the mouse works when directly plugged into the computer.
  - 6.2 Make sure the mouse is a true PS/2 mouse. A combo mouse will work just as long as it is set for PS/2 mode with the correct adapter.
  - 6.3 Try a different mouse.

---

This page is intentionally left blank