

Quick Installation Guide

VDR-300NU

802.11n Dual Band Wireless VDSL2 Router



1. Package Contents

Thank you for choosing PLANET VDR-300NU. Before installing the AP, please verify the contents inside the package box.

VDSL2 Router



Quick Guide



CD-ROM



RJ-11 Cable



RJ-45 Cable



Power Adapter



VDSL Splitter



Note

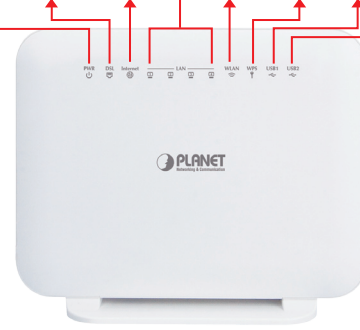
If there is any item missing or damaged, please contact the seller immediately.

- 1 -

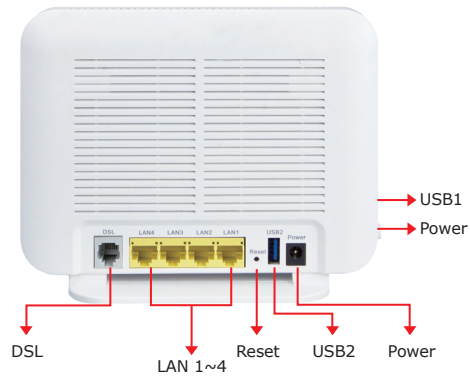
2. Physical Introduction

Front Panel of VDR-300NU

Power DSL Internet LAN 1~4 WLAN WPS USB1 USB2



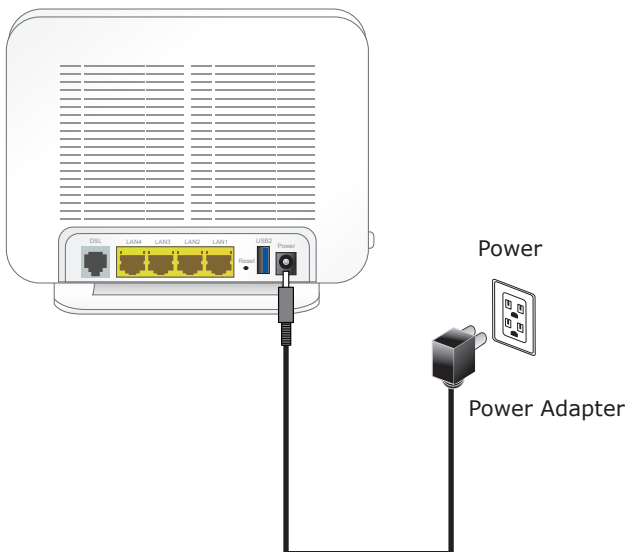
Button and Ports of VDR-300NU



- 2 -

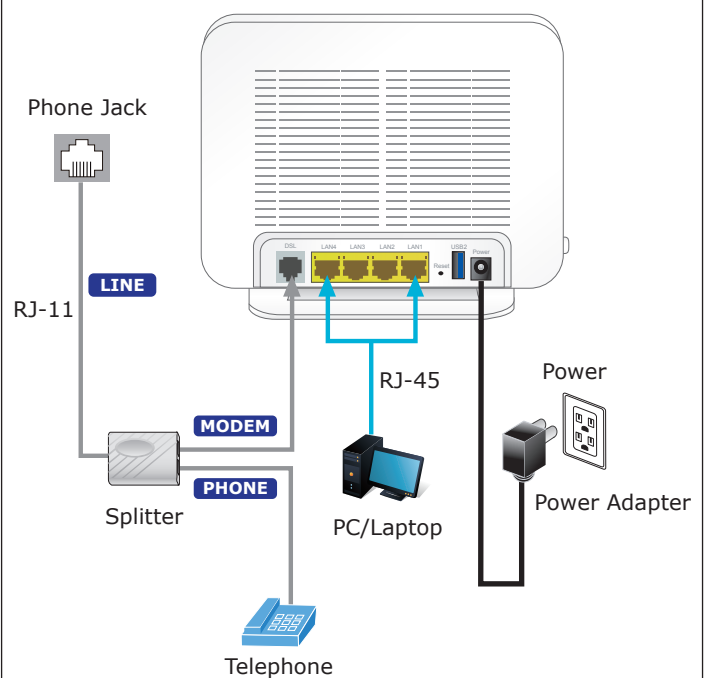
3. Hardware Installation

STEP 1: Connect the Power Adapter to VDR-300NU. Check whether the PWR LED and LAN LED on the front panel are on accordingly.



- 3 -

STEP 2: Follow the figure below to connect the network devices.

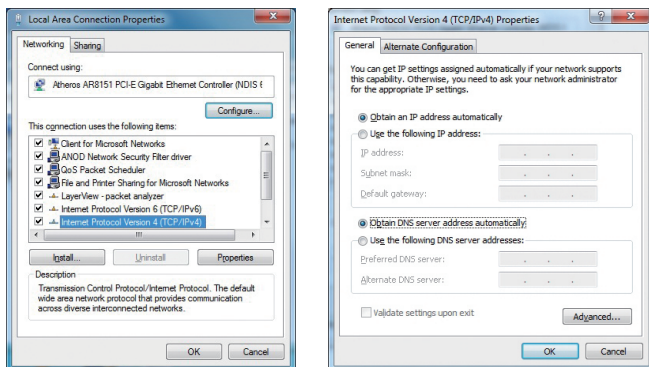


- 4 -

4. Web Login

STEPS: Set your computer to get an IP address from the Wireless Router:

1. Click **"Start"** button located at lower-left corner of the screen.
2. Click **"Control Panel"**.
3. Double-click **"Network and Sharing Center"** icon.
4. Click **"Change Adapter Settings"**.
5. Double-click **"Local Area Connection"** icon.
6. Select **"Internet Protocol Version 4 (TCP/IPv4)"** and click **"Properties"** button.
7. Select **"Obtain an IP address automatically"** and **"Obtain DNS server address automatically"**, and then click the **"OK"** button twice to save the configuration.



- 5 -

Default IP Address: **192.168.1.1**

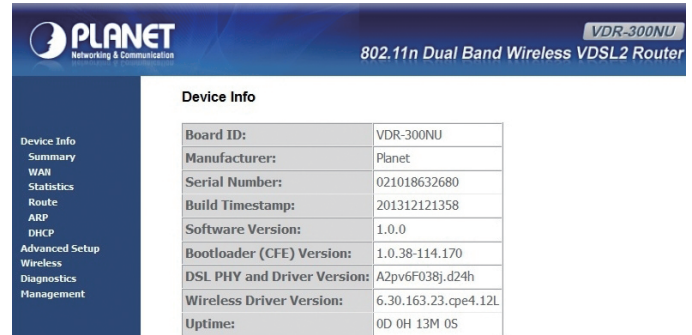
Default User Name: **admin**

Default Password: **admin**

Default SSID: **VDR-300NU**

Default Wireless Security: **Open**

Now, you can see the Web management UI of the VDR-300NU.



- 6 -

5. Broadband Connection for VDSL

VDSL2 Router with PPPoE:

Follow the steps below to set up connection to **PPPoE** mode.

1. Log in the VDR-300NU's web-based configuration utility.
2. Click **"WAN Service"**.
3. Click **"Add"** icon.
4. Choose **PTM**, and then press **"Next"**.
5. Select the WAN service type: **"PPPoE"** and click the **"Next"** button.
6. Fill in User Name and Password which are provided by ISP.
7. After setting it up, press **"Apply/Save"**.

If you need more information about WAN service, please refer to the User's Manual.

VDSL2 Router with Bridge:

Follow the steps below to set up connection to **Bridge** mode.

1. Log in the VDR-300NU's web-based configuration utility.
2. Click **"WAN Service"**.
3. Click **"Add"** icon.
4. Choose **PTM**, and then press **"Next"**.
5. Select the WAN service type: **"Bridging"** and click the **"Next"** button.
6. Press **"Apply/Save"**.

If you need more information about WAN service, please refer to the User's Manual.

- 7 -

Further Information

The above steps introduce simple installations and configurations for the VDR-300NU. For further configurations of different operation modes, please refer to the user's manual in the CD. If you have further questions, please contact the local dealer or distributor where you purchased this product.

- 8 -