

Quick Installation Guide

VIP-1010PT

High-definition PoE IP Phone



VERIFY THE CONTENTS INSIDE THE PACKAGE BOX

The package should contain the following items plus VIP-1010PT. If any item is missing or damaged, please contact the seller immediately.



Quick Guide



Handset



Handset cord



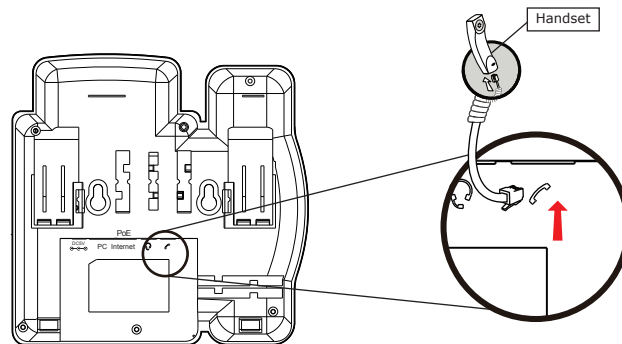
RJ45 Cable



Stand

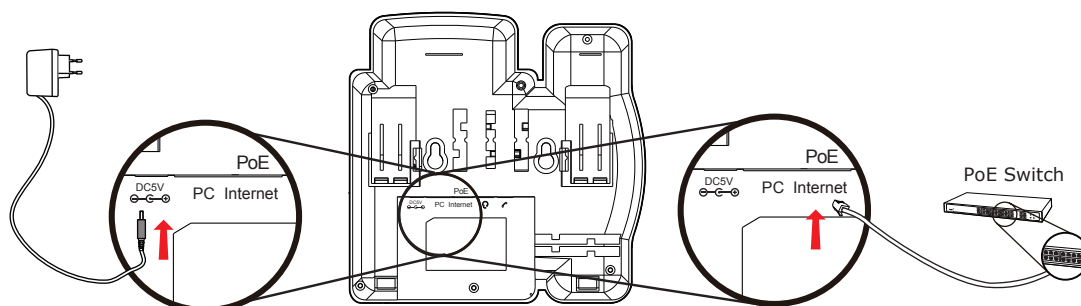
Step 1. Handset Connection

Plug one end of the handset cord into the handset and the other end into the handset jack



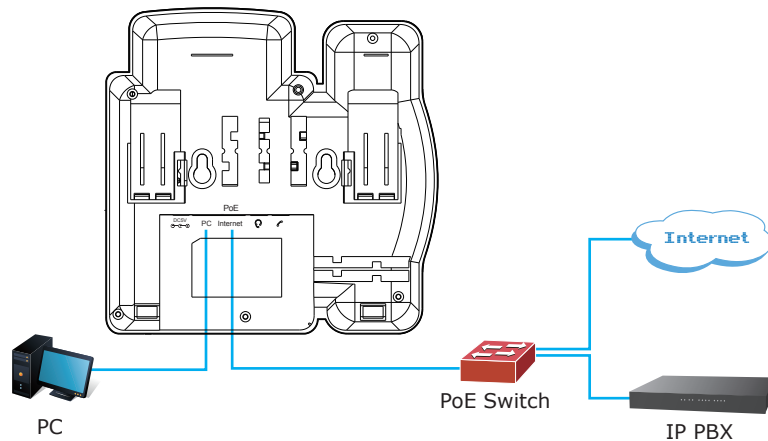
Step 2. Connecting Power System

The VIP-1010PT can be powered either by its external AC/DC adapter or by connecting to an IEEE802.3af/at PSE device such as 802.3af injector/hub or 802.3af/at PoE switch. Once the VIP-1010PT is powered, the LCD screen will prompt for POST.



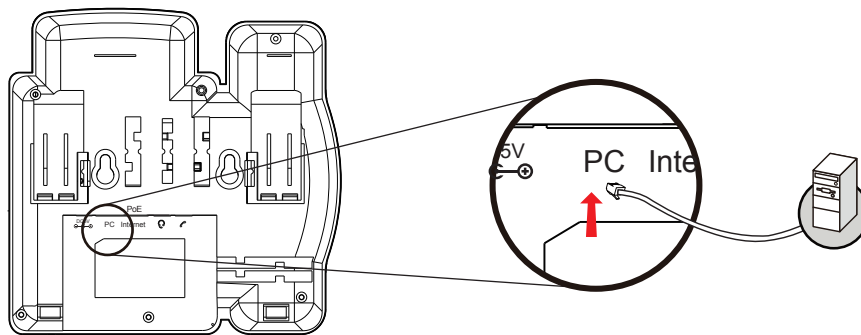
- NOTE :**
1. This unit does not include the 5V/1A power adapter.
 2. Only Internet port supports PoE.

Step 3. Connecting Network



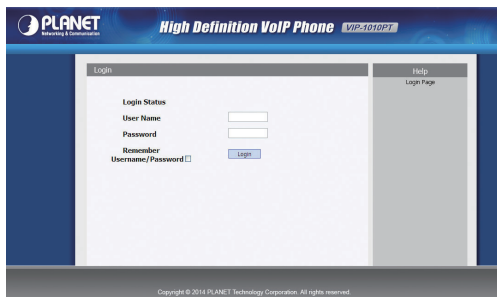
Step 4. Computer Network Setup

Set your computer's IP address to 192.168.0.x, which x is a number between 2 and 254 (except 1 where is being used for the phone by default). If you don't know how to do this, please ask your network administrator.
Connecting your PC to the VIP-1010PT PC port



Step 5. Login Prompt

Use Web browser (Internet Explorer 8.0 or above) to connect to 192.168.0.1 (type this address in the address bar of Web browser). You'll be prompted to input user name and password: **admin** and **123**



Further Configuration

For detailed configuration, please check user's manual which can be downloaded from the website.



If you have any other question, please contact the dealer where you purchased this product or you can contact PLANET directly at the following email address: voip_support@planet.com.tw