

Quick Installation Guide

WNAP-7325

300Mbps 802.11 a/n Wireless Outdoor CPE



1. Package Contents

Thank you for choosing PLANET WNAP-7325. Before installing the AP, please verify the contents inside the package box.

WNAP-7325



Quick Guide



PoE Injector & Power Cord



Plastic Strap x 1



Note

If there is any item missing or damaged, please contact the seller immediately.

- 1 -

2. Installation Precautions

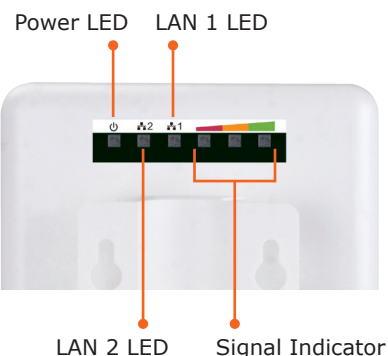


Caution

1. Users **MUST** use a proper and well-installed surge arrestor and grounding wired with the WNAP-7325; otherwise, a sudden lightning could cause fatal damage to the WNAP-7325. **EMD (Lightning) DAMAGE IS NOT COVERED UNDER WARRANTY.**
2. Users **MUST** use the "Power cord and PoE Injector" shipped in the box with the WNAP-7325. Use of other options will cause damage to the WNAP-7325.

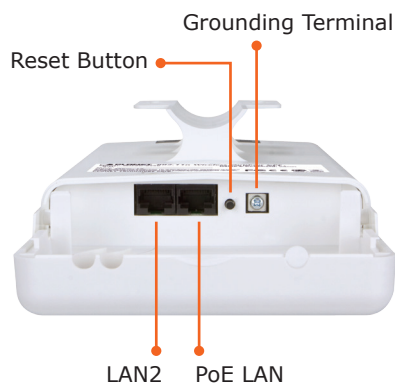
3. Physical Introduction

Rear Panel Description – LED Indication

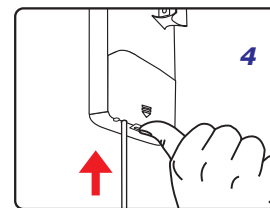
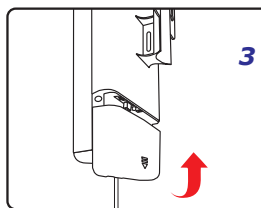


- 2 -

Bottom Panel Description – Port

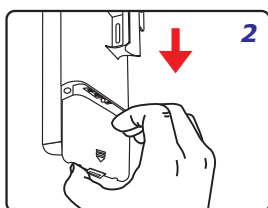
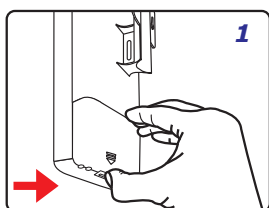


(B) Plug the RJ45 Ethernet cable into the PoE LAN Port of the WNAP-7325. Then, slide back the cover of the WNAP-7325 to finish the installation.



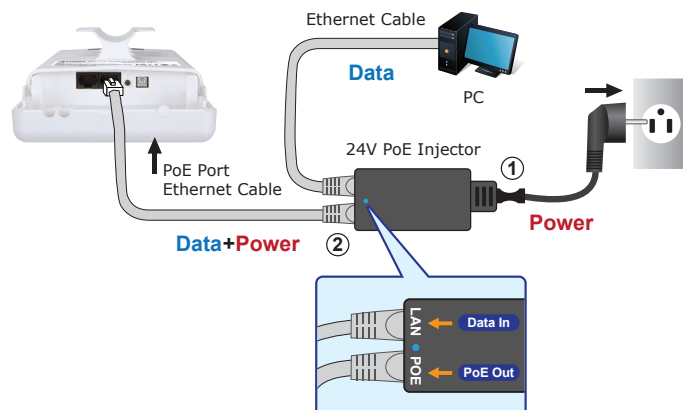
4. Hardware Installation

STEP 1: (A) Push the latch on the bottom of the WNAP-7325 to remove the sliding cover.



- 3 -

STEP 2: Plug the power cord into the DC port and the other side into the AC socket. Then, plug the RJ45 cable (as shown in picture 4 under Step 1) into the POE port of the PoE injector.



- 4 -

5. Pole Mounting

STEP 1: Place the strap through the slot on the back of the WNAP-7325 and then around the pole. Tighten the strap to secure the WNAP-7325.



IMPORTANT SAFETY PRECAUTIONS:

- LIVES MAY BE AT RISK!** Please be aware for the electric wires around, and tighten the pole. Carefully read the section "**OUTDOOR INSTALLATION WARNING**" in the manual before installation.
- Users **MUST** use the "**Power cord and PoE Injector**" shipped in the box with the WNAP-7325. Otherwise, the product might be damaged.



Caution

- 5 -

Default IP Address: **192.168.1.253**

Default Username: **admin**

Default Password: **admin**

Default SSID: **WNAP-7325**

STEP 1: The Web management allows you to access and manage the wireless AP easily. Launch the Web browser and enter the default IP address **<http://192.168.1.253>**.



STEP 2: When the login window pops up, please enter the User Name and Password. The default User Name and Password are both "**admin**". Then click **OK** button to continue.



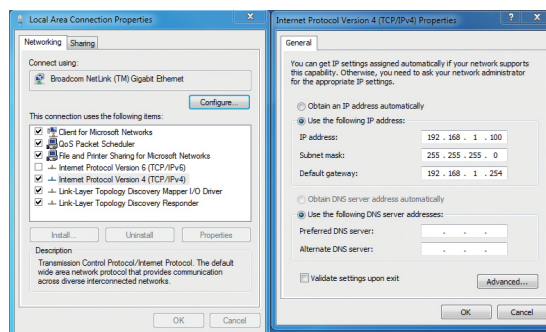
For security reasons, it is recommended to change the password at the first login and memorize it.

- 7 -

6. Web Login

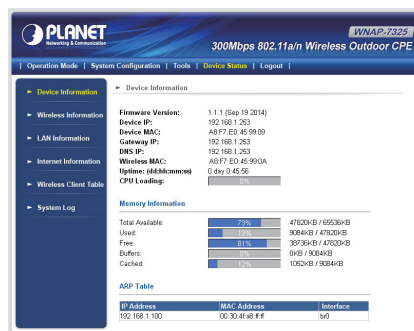
Connect the WNAP-7325 with your PC by an Ethernet cable plugging in LAN port of PoE injector in one side and in LAN port of PC in the other side. Power on the WNAP-7325 by PoE from PoE injector.

- Click "**Start**" button located in the lower-left corner of your computer.
- Click "**Control Panel**".
- Double-click "**Network and Sharing Center**" icon.
- Click "**Change Adapter Settings**".
- Double-click "**Local Area Connection**".
- Select "**Internet Protocol Version 4 (TCP/IPv4)**" and click "**Properties**".
- Select "**Use the following IP address**", and then click "**OK**" button twice to save the configuration. For example, as the default IP address of the WNAP-7325 is 192.168.1.253 and the router is 192.168.1.254, then you may choose from 192.168.1.1 to 192.168.1.252.



- 6 -

STEP 3: After you enter into the Web User Interface, go to **Operation Mode** to configure your wireless network.



Further Information:

The above steps introduce the simple installations and configurations of the WNAP-7325. For further configurations of different operation modes, please refer to the user manual which you can download from the website.

<http://www.planet.com.tw/en/support/download.php?type1=4&model=48590&type=3>



If you have further questions, please contact the local dealer or distributor where you purchased this product. 2011-E10580-000

- 8 -