

**1200Mbps 802.11ac Dual Band Wall-mount Wireless
Access Point**

WDAP-W7200AC

Quick Installation Guide

Table of Contents

1. Package Contents	3
2. Hardware Description	4
3. Hardware Installation	5
3.1 Antenna Installation.....	5
3.2 Wall Mount Installation.....	6
3.3 DIN-Rail Mounting Installation	6
3.4 Magnet Installation	8
3.5 Power on the Wireless AP.....	9
4. Wired Network Configuration (Windows 7).....	10
5. Entering into the Web Management.....	11
6. Wireless Network Connection	13
7. WDAP-W7200AC Installed with Wireless AP Controller.....	14
Further Information:	16

1. Package Contents

Thank you for choosing PLANET WDAP-W7200AC. Before installing the AP, please verify the contents inside the package box.

The package should contain the following items:

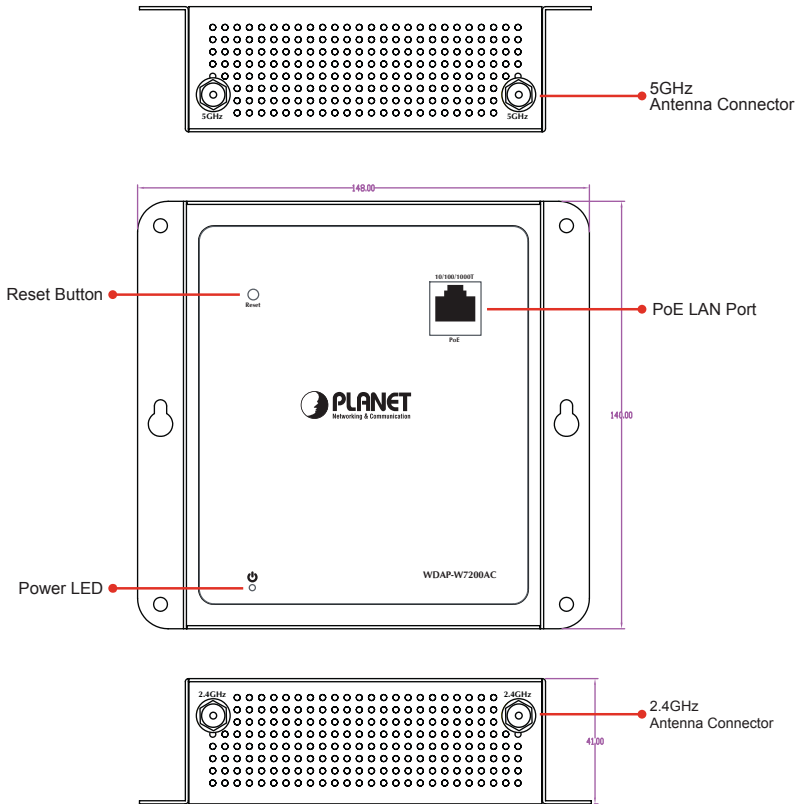
<p>WDAP-W7200AC</p> 	<p>2.4GHz Antenna x 2 5GHz Antenna x 2</p> 	<p>Quick Guide</p> 
<p>DIN-rail Kit</p> 	<p>Magnet Kit</p> 	<p>Wall-mounted Kit</p> 



Note

If there is any item missing or damaged, please contact the seller immediately.

2. Hardware Description

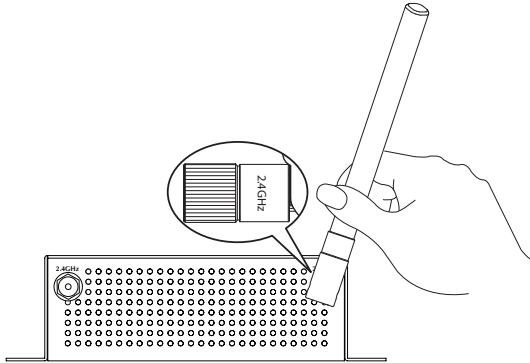


Reset: Press and hold the button for more than 10 seconds to reset to the factory default setting.

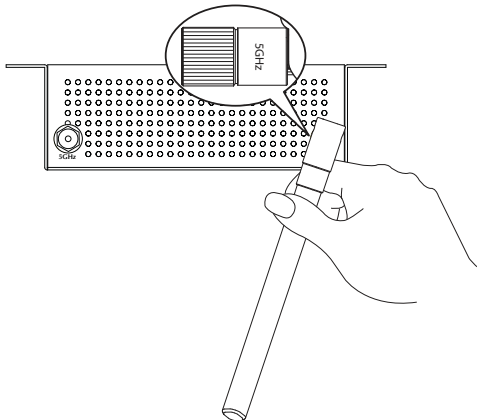
3. Hardware Installation

3.1 Antenna Installation

Step 1 Connect the **2.4GHz antennas** to the RP-SMA connectors of the WDAP-W7200AC that indicates "**2.4GHz**" on the bottom panel.

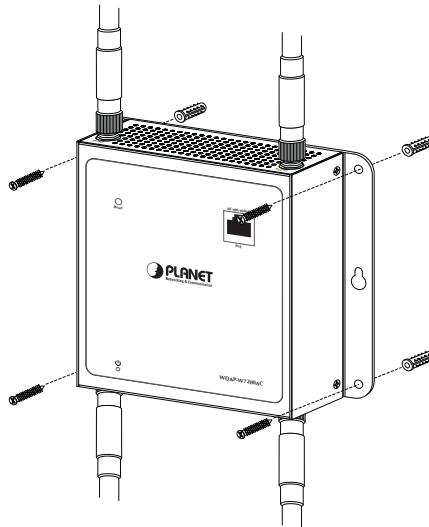


Step 2 Connect the **5GHz antennas** to the RP-SMA connectors of the WDAP-W7200AC that indicates "**5GHz**" on the top panel.



3.2 Wall Mount Installation

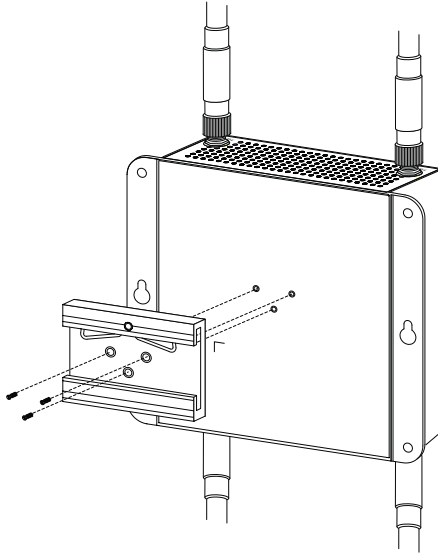
- Step 1** There are 4 holes with 8mm diameter on the wall; the distance between the 2 holes is 133mm and the line through them must keep horizontal.
- Step 2** Install a conductor pipe inside the board hole and flush the edge of the conductor pipe with the wall surface.
- Step 3** Screw the bolts into the conductor pipe. The WDAP-W7200AC is between bolts and conductor pipe, as shown below.



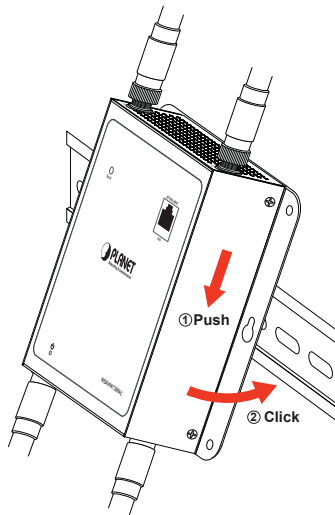
3.3 DIN-Rail Mounting Installation

The DIN-rail kit is included in the package. For the WDAP-W7200AC that needs to be DIN-rail mounted, please refer to the following figures:

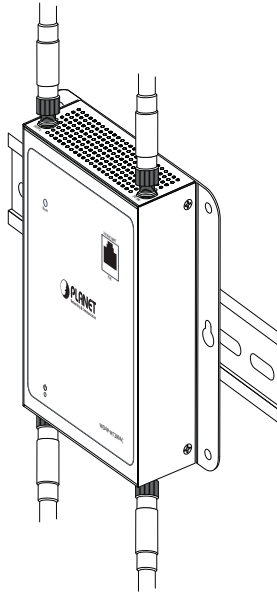
Step 1 Screw the DIN-rail on the WDAP-W7200AC



Step 2 Lightly press the button of DIN-rail into the track

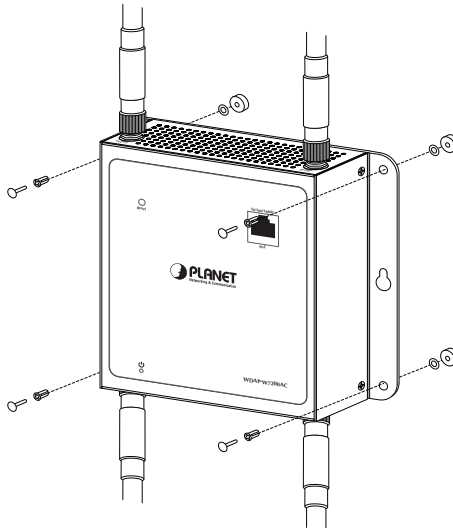


Step 3 Check whether the DIN-rail is tightly on the track



3.4 Magnet Installation

To install the WDAP-W7200AC on a magnetic surface, simply follow the diagram below:

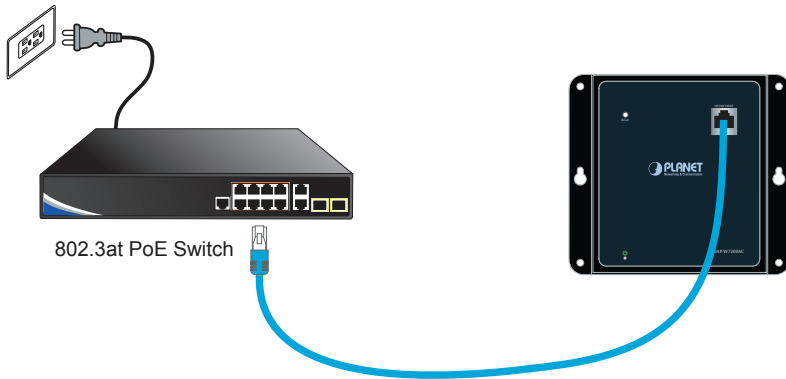


3.5 Power on the Wireless AP

Step 1 Plug the Ethernet cable into the PoE port.



Step 2 Plug the other end of the Ethernet cable into the PoE switch.

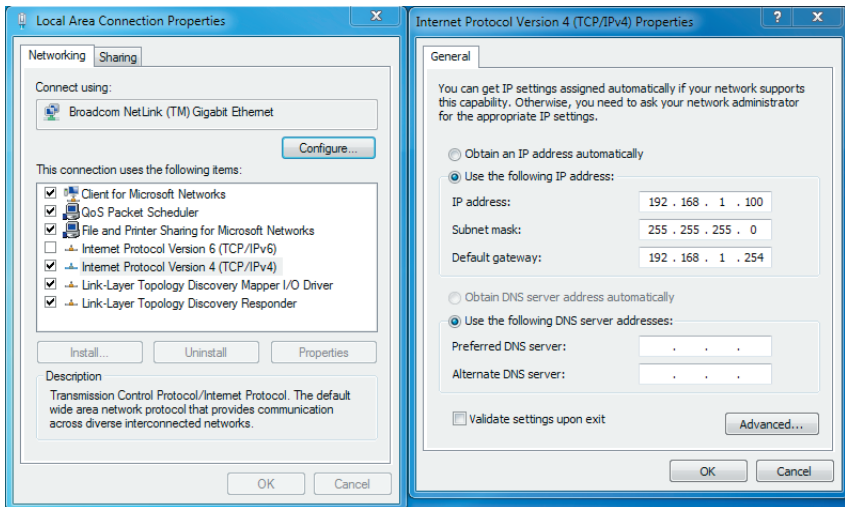


Power Requirement: 802.3at 30W

4. Wired Network Configuration (Windows 7)

A computer with wired Ethernet connection is required for the first-time configuration of the wireless AP.

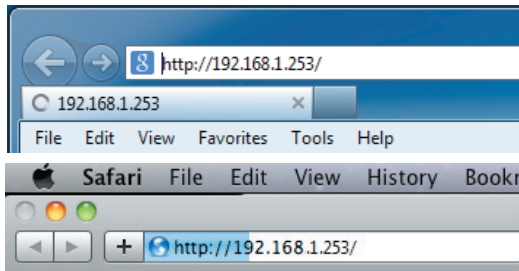
1. Click the **"Start"** button located on the lower-left corner of your computer.
2. Click **"Control Panel"**.
3. Double-click the **"Network and Sharing Center"** icon.
4. Click **"Change Adapter Settings"**.
5. Double-click **"Local Area Connection"**.
6. Select **"Internet Protocol version 4 (TCP/IPv4)"** and click **"Properties"**.
7. Select **"Use the following IP address"** and then click the **"OK"** button twice to save the configuration. For example, as the default IP address of the WDAP-W7200AC is 192.168.1.253 and the router is 192.168.1.254, you may choose from 192.168.1.1 to 192.168.1.252.



5. Entering into the Web Management

Default IP Address: **192.168.1.253**
Default Username: **admin**
Default Password: **admin**
Default SSID (2.4GHz): **Planet AP 2.4G**
Default SSID (5GHz): **Planet AP 5G**

Step 1 The Web management allows you to access and manage the wireless AP easily. Launch the Web browser and enter the default IP address **http://192.168.1.253**.



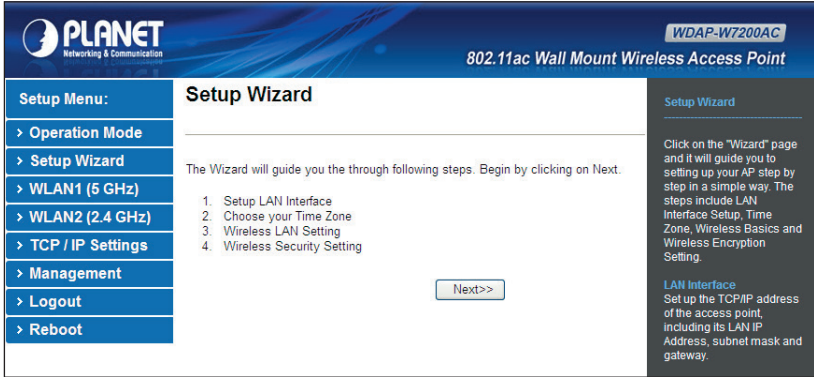
Step 2 When the login window pops up, please enter the User Name and Password. The default User Name and Password are both **"admin"**. Then click the **OK** button to continue.



For security reasons, it is recommended to change the password at the first login and memorize it.

Step 3 After you enter into the Web User Interface, go to **Setup Wizard** to configure your wireless network.

For security reasons, configuring the Encryption Method and Passphrase of your wireless network is strongly recommended.



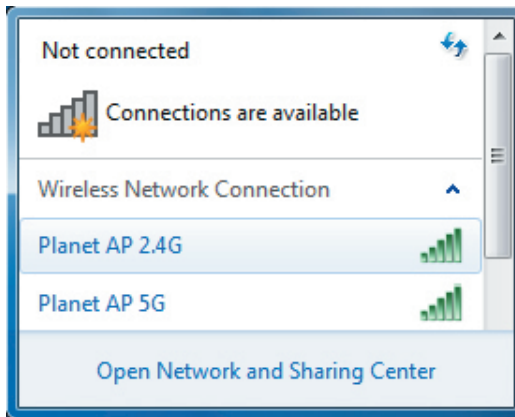
Step 4 Once the basic configuration of the WDAP-W7200AC is done, click the **"Finished"** button to make the change take effect.

6. Wireless Network Connection

Step 1 Right-click on the **network icon** displayed in the system tray.



Step 2 Highlight the wireless network (SSID) to connect and click the **[Connect]** button.



Step 3 Enter the **encryption key** of the WDAP-W7200AC if necessary.

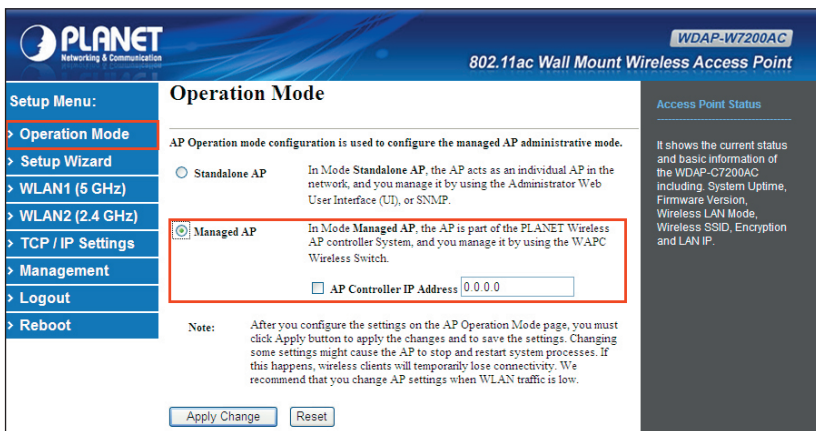
7. WDAP-W7200AC Installed with Wireless AP Controller

The WDAP-W7200AC can be managed from the computer via PLANET's Wireless AP Controller.

Follow the steps below to set up the WDAP-W7200AC from the operation mode to the managed AP mode.

Step 1 Setting to "Managed AP" mode

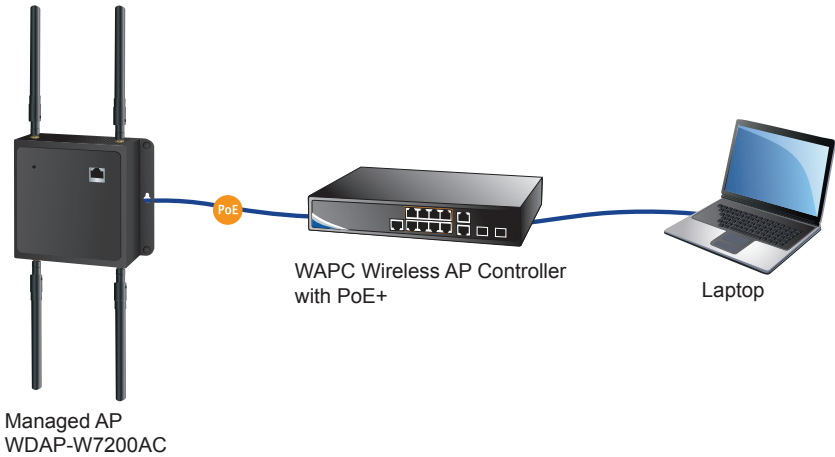
1. Log in the WDAP-W7200AC's Web User Interface.
2. Click "Operation Mode".
3. Click "Managed AP".
4. After setting it up, press "Apply Change".



The screenshot displays the web interface for the WDAP-W7200AC. The top navigation bar includes the PLANET logo and the device model name. A left-hand menu lists various configuration options, with 'Operation Mode' currently selected. The main content area is titled 'Operation Mode' and contains two radio button options: 'Standalone AP' and 'Managed AP'. The 'Managed AP' option is selected and highlighted with a red border. Below this option, there is a checkbox for 'AP Controller IP Address' with a text input field containing '0.0.0.0'. A note at the bottom of the configuration area provides instructions on applying changes. On the right side, there is a section for 'Access Point Status' which is currently empty.

In this mode, multiple WDAP-W7200ACs can connect directly or indirectly to the Wireless AP Controller for centralized management.

Step 2 Connect the WDAP-W7200AC, Wireless AP Controller and your computer to the same network.



Step 3 Launch the Web browser to Log in to the **WAPC Wireless AP Controller Web pages**. Configure the Wireless setting for the WDAP-W7200AC under **"AP Control"**.

PLANET
Networking & Communication

WAPC-1232HP

Smart Discovery

STEP 1: Search for APs
STEP 2: Discover APs
STEP 3: Configure APs
STEP 4: Manage APs

ID	MAC Address	AP Model	Version	Device IP	Device Netmask	Device Gateway	Device Description	Select Device
1	a8-f7-e0-00-00-00	WDAP-W7200AC	1.3465ch150727_0W-Fi_11ac_AP	192.168.1.151	255.255.255.0	192.168.1.254	Wi-Fi_11ac_AP	<input type="checkbox"/>

Auto Refresh Refresh Apply

For information about configuring the WDAP-W7200AC in **Managed AP** mode by using PLANET Wireless AP Controller, refer to the user manual of the WAPC AP Controller series.

Further Information:

The above steps introduce the simple installations and configurations of the WDAP-W7200AC. For further configurations of different operation modes, please refer to the user manual, which can be downloaded from the website.

<http://www.planet.com.tw/en/support/download.php?type1=4&model=48744&type=3>



If you have further questions, please contact the local dealer or distributor where you purchased this product.