

Quick Installation Guide

WNAP-W2201A

300Mbps 802.11n Wireless
In-wall Access Point



1. Package Contents

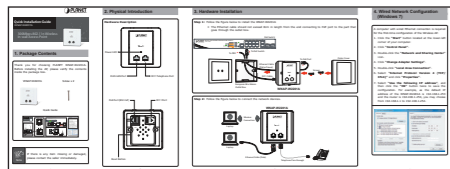
Thank you for choosing PLANET WNAP-W2201A. Before installing the AP, please verify the contents inside the package box.

WNAP-W2201A

Screw x 2



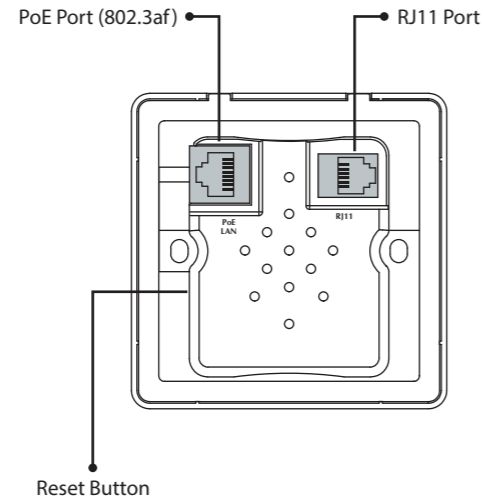
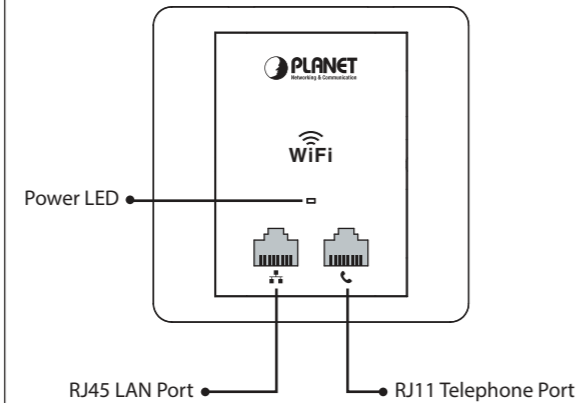
Quick Guide



If there is any item missing or damaged, please contact the seller immediately.

2. Physical Introduction

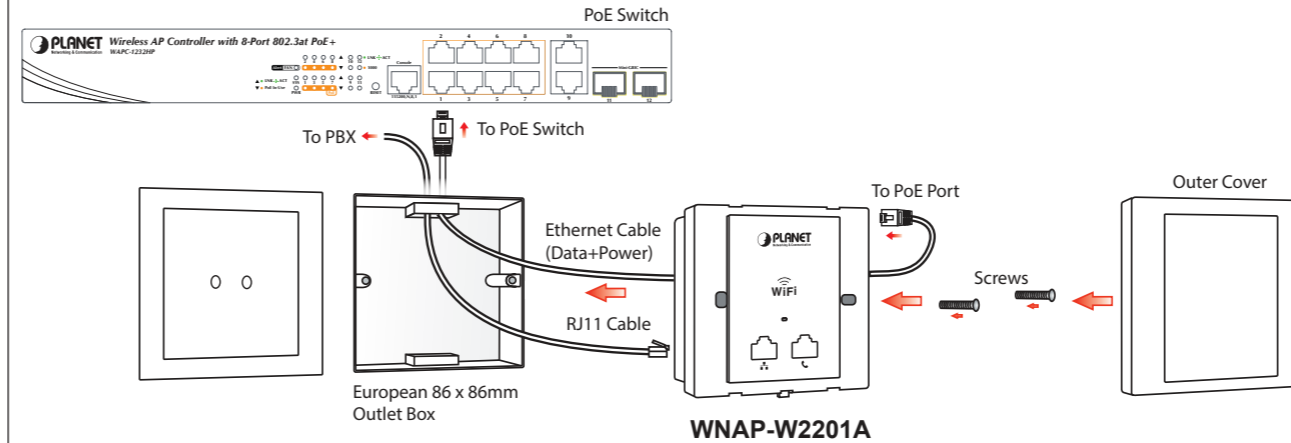
Hardware Description



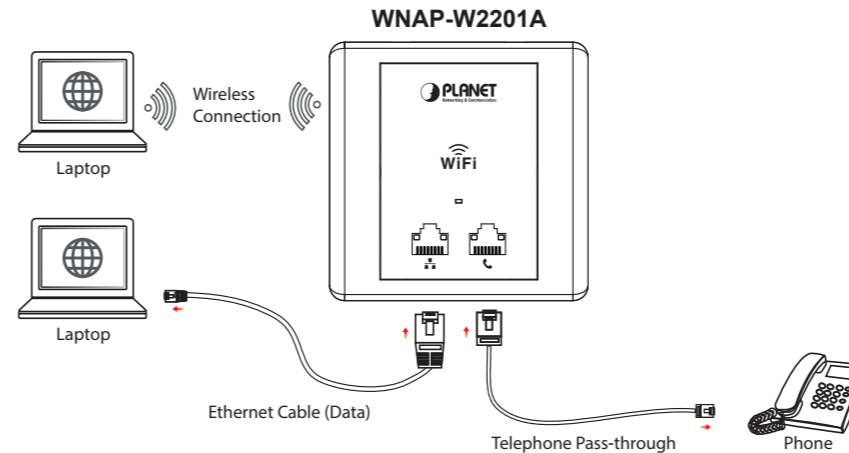
3. Hardware Installation

Step 1: Follow the figure below to install the WNAP-W2201A

※ The Ethernet cable should not exceed 8cm in length from the end connecting to PoE port to the part that goes through the outlet box.



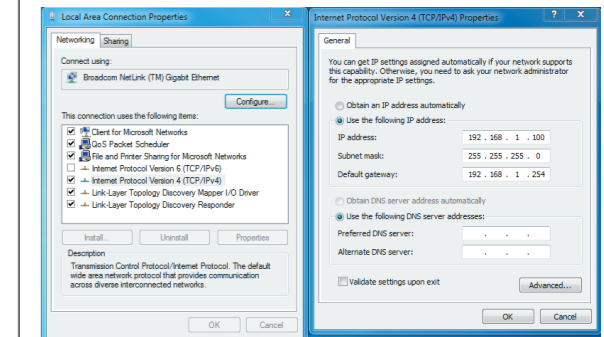
Step 2: Follow the figure below to connect the network devices.



4. Wired Network Configuration (Windows 7)

A computer with wired Ethernet connection is required for the first-time configuration of the Wireless AP.

1. Click the **"Start"** button located at the lower-left corner of your computer.
2. Click **"Control Panel"**.
3. Double-click the **"Network and Sharing Center"** icon.
4. Click **"Change Adapter Settings"**.
5. Double-click **"Local Area Connection"**.
6. Select **"Internet Protocol Version 4 (TCP/IPv4)"** and click **"Properties"**.
7. Select **"Use the following IP address"**, and then click the **"OK"** button twice to save the configuration. For example, as the default IP address of the WNAP-W2201A is 192.168.1.253 and the router is 192.168.1.254, you may choose from 192.168.1.1 to 192.168.1.252.



5. Enter into the Web Management

Default IP Address: **192.168.1.253**

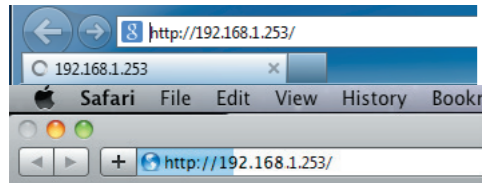
Default Username: **admin**

Default Password: **admin**

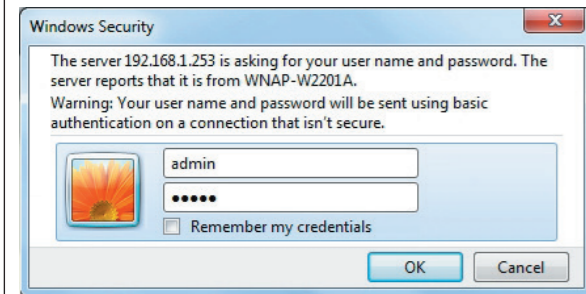
Default SSID: **PLANET_XXXX** ("X" means the last 4 digits of the MAC address)

Default Wireless Encryption Type: **None**

Step 1: The Web management allows you to access and manage the Wireless AP easily. Launch the Web browser and enter the default IP address <http://192.168.1.253>



Step 2: When the login window pops up, please enter the User Name and Password. The default User Name and Password are both "admin". Then click the **OK** button to continue.



For security reasons, it is recommended to change the password at the first login and memorize it.

Step 3: After you enter into the Web User Interface, go to **Setup Wizard** to configure your wireless network. For security reasons, we strongly recommend you to configure the Encryption Method and Passphrase of your wireless network.



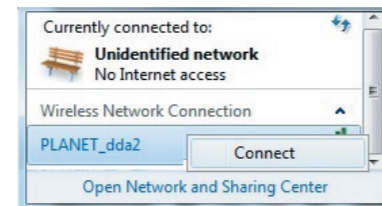
Step 4: Once the basic configuration of the WNAP-W2201A is done, click the "**Finished**" button to make the change take effect.

6. Wireless Network Connection

Step 1: Right-click on the network icon displayed in the system tray.



Step 2: Highlight the wireless network (SSID) to connect and click the [Connect] button.



Step 3: Enter the encryption key of the WNAP-W2201A if necessary.

You have already finished the configuration of the WNAP-W2201A. Now you can use your iPhone, iPad, laptop or any other Wi-Fi device to connect with it wirelessly and start surfing the internet.

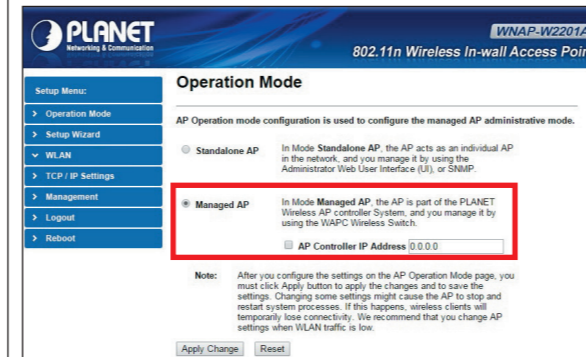
7. WNAP-W2201A Installed with Wireless AP Controller

The WNAP-W2201A can be managed from the computer via PLANET's Wireless AP Controller.

Follow the steps below to set up the WNAP-W2201A from the operation mode to the managed AP mode.

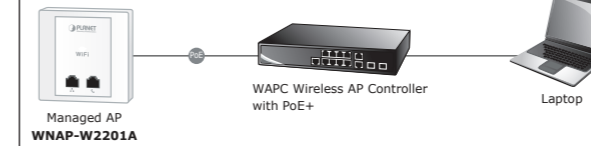
Step 1: Setting to "**Managed AP**" mode

1. Log in the WNAP-W2201A's Web User Interface.
2. Click "**Operation Mode**".
3. Click "**Managed AP**".
4. After setting it up, press "**Apply Change**".

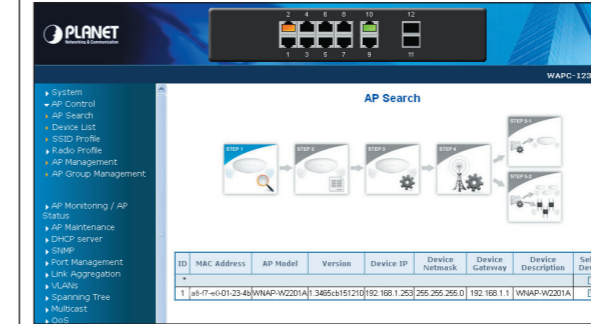


In this mode, multiple WNAP-W2201As can connect directly or indirectly to the Wireless AP Controller for centralized management.

Step 2: Connect the WNAP-W2201A, Wireless AP Controller and your computer to the same network.



Step 3: Launch the Web browser to log in to the WAPC Wireless AP Controller Web pages. Configure the Wireless setting for the WNAP-W2201A under "AP Control".



For information about configuring the WNAP-W2201A in Managed AP mode by using PLANET Wireless AP Controller, refer to the user manual of the WAPC AP Controller series.

Further Information:

The above steps introduce the simple installations and configurations of the WNAP-W2201A. For further configurations of different operation modes, please refer to the user manual, which can be downloaded from the website.

<http://www.planet.com.tw/en/support/download.php?type=4&model=48804&type=3>



If you have further questions, please contact the local dealer or distributor where you purchased this product.