

Quick Installation Guide

IPM-16120

IP-based 16-port Metered Power Distribution Unit



1. Package Contents

Thank you for choosing PLANET IP Metered Power Distribution Unit. The IPM series provides the useful function of managing power for any combination to connect with itself.

Open the box of the IP Metered PDU and carefully unpack it. The box should contain the following items:

IP Metered PDU



Quick Guide



Note

If there is any item missing or damaged, please contact the seller immediately.

2. Installation Precautions

- Please set the maximum power-off protection allowed by power circuit as per the rated current information indicated on the device with reference to the local state rules, safety procedures and disconnector deviation.
- The unit can only be connected to a grounded power outlet or system.
- Make sure the total current output of all the connected systems within the rated current indicated on the device.
- The test results of this device may be inaccurate giving unstable power supply.
- Avoid using this device in places near water or moisture environments.



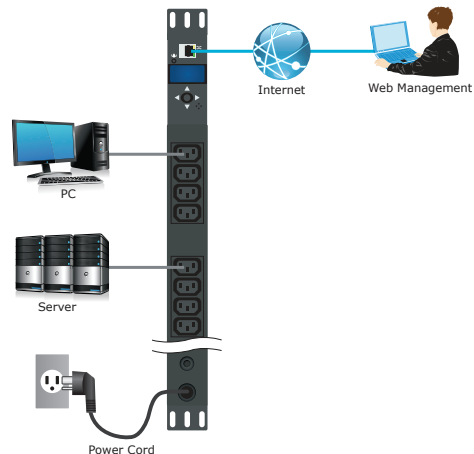
In order to avoid a fire hazard or risk of electric shock, do not expose the product to rain or moisture

- Use the attachments/accessories specified by the manufacturer only.
- Please avoid any items or liquids entering the device because their contact with dangerous voltage points or short-circuit parts may cause a fire or electric shock.

3. Application Diagram

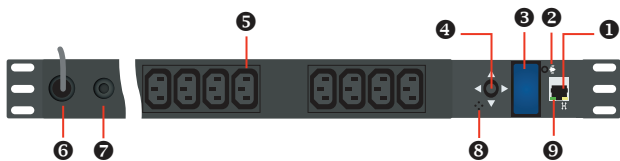
IP Metered PDU consolidates current monitoring, device temperature monitoring, web page management, message,

e-mail, and SNMP functions together to enable MIS staff to be informed and thereby to remotely deal with the relevant problems through Internet.



4. Physical Introduction

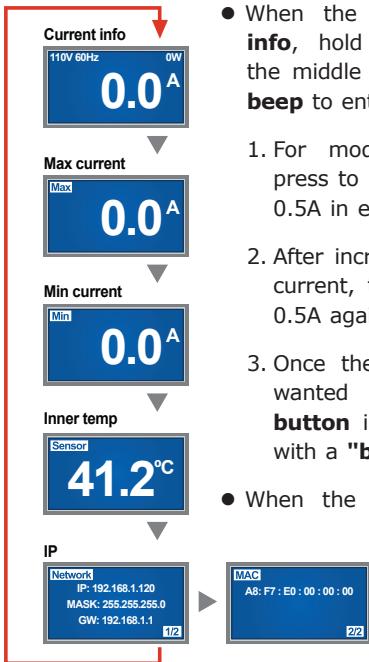
Front Panel



①	RJ45 Port	Enable user to configure the IP Metered PDU through a LAN or WAN.
②	Alarm	Lights remaining lit: Alarm has occurred. Slow flashing: There was current overloading.
③	LCD Panel	Display current information, max. alarm current, device temperature and network information.
④	Five-sided Button	Provide LCD switching panel info and setting parameters. Please see below the Panel Operation for more understanding.
⑤	Power Outlet	Connect a device to each power outlet to supply power to it. Note: The max. output current is 16 amps.
⑥	Power Inlet	Device power lead.
⑦	Circuit Breaker Protection	Prevent power overload and damage to devices, when circuit breaker protection trips. Press the button on the breaker protection to return to normal operation after eliminating abnormal device power supply.
⑧	Buzzer	Buzzer will make a beep sound when alarm happens.
⑨	RJ45 LED	Link (Green): The port is successfully established. Network Speed (Yellow): Blink: The port is running at a speed of 100Mbps. Off: The port is running at a speed of 10Mbps.

Panel Operation

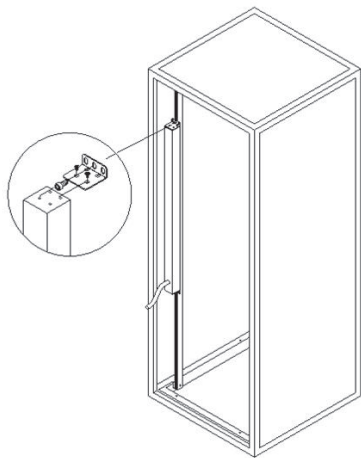
The first mode of LCD is **total current**, switching with the **five-sided button down** to show the regular sequence of **current info**, **max. current**, **inner temp** and **network info** as shown below:



- When the LCD menu shows **current info**, hold the **five-sided button** in the middle for **3 seconds with a long beep** to enter alarm current setting.
 1. For modification of alarm current, press to increase the alarm current by 0.5A in each press.
 2. After increasing to the maximal alarm current, the value will return back to 0.5A again, and this will cycle.
 3. Once the alarm current reaches the wanted value, hold the **five-sided button** in the middle for **3 seconds** with a **"beep"** to end the setting.
- When the LCD shows the **maximum total current** record, hold the five-sided button in the middle for **3 seconds** with a **long beep** to adjust to a zero point.
- When the LCD menu shows **network info**, hold the **five-sided button** for **10 seconds** with **two beeps** to enter reset mod.

5. Hardware Installation

IP Metered PDU provides standard 0U rack for the installation of devices; for the installation of the device on the rack, you can install it on the top or bottom of the rack.



Note

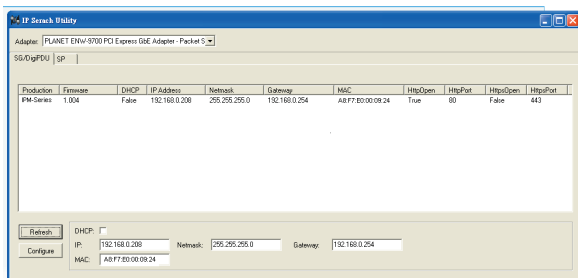
Please make sure all the units connected are powered off before the installation of the device and take other necessary precautions during the installation.

6. Utility Installation for Windows

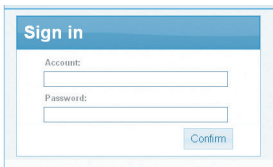
PLANET **"IP Search"** is a software utility used to search the IP Metered PDU product on a network quickly and with ease.

Step 1: Download the **IP Search** from PLANET download URL
<http://www.planet.com.tw/en/support/download.php?type=102&model=48842&type=8184#list>

Step 2: Please press the **"Refresh"** button to find out your IP Metered PDU.



Step 3: Enter the IP address and login to the homepage of IP Metered PDU.



Further Information

The above steps introduce the simple installation of the IP Metered PDU. For further details on the installation of the Metered Power Distribution Unit, please refer to the user manual which you can be downloaded from the PLANET website.

<http://www.planet.com.tw/en/support/download.php?type1=102&model=48842&type=3>



If you have further questions, please contact the local dealer or distributor where you purchased this product or you can contact PLANET directly at the following email address: support@planet.com.tw

PLANET Technology Corp.

11F., No. 96, Minquan Rd., Xindian Dist., New Taipei City 231, Taiwan

2011-F10090-000

