

Quick Installation Guide

WDAP-802AC

1200Mbps Dual Band 802.11ac
Outdoor Wireless AP



1. Package Contents

Thank you for choosing PLANET Outdoor Wireless AP. Before installing, please verify the contents inside the package box. The device mentioned herein is the brief name of the "Outdoor Wireless AP".

WDAP-802AC

Quick Guide

RJ45 Waterproof Kit x 1



Backplane x 1

L-type Bracket x 1

U-bolt Kit x 2

Screw Set x 1

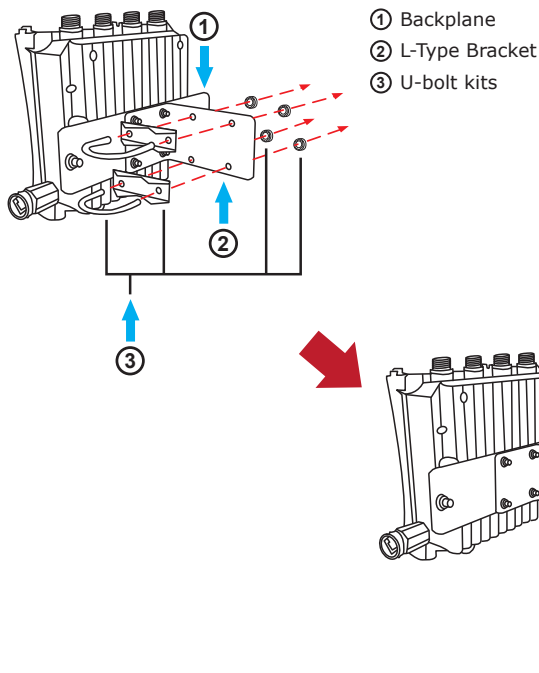


If there is any item missing or damaged, please contact the seller immediately.

- 1 -

3. Hardware Installation

- Step 1:** (1) Install the Backplane to the back of the AP.
(2) Attach the L-type bracket to it.
(3) Assemble the AP to the pole by using the U-bolt kit.
※ The AP can be mounted on an up to 2.5" (O.D.) pole.



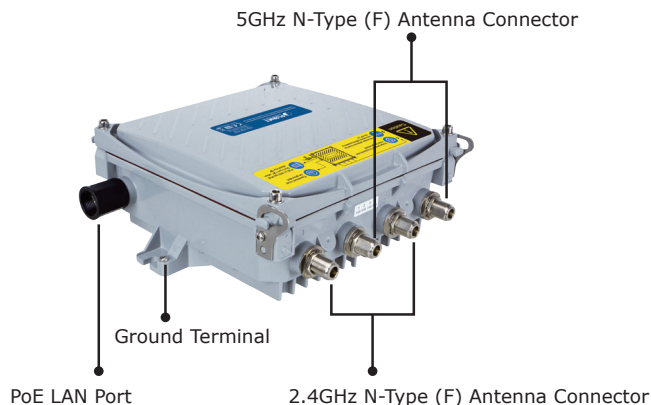
- 3 -

IMPORTANT SAFETY PRECAUTIONS:

- 1) **LIVES MAY BE AT RISK!** Please be aware of the electrical wires around. Carefully read the section "**OUTDOOR INSTALLATION WARNING**" in the manual before installation.
- 2) Users **MUST** complete grounding wired with the device; otherwise, a sudden lightning could cause fatal damage to the device. EMD (Lightning) **DAMAGE IS NOT COVERED UNDER WARRANTY.**
- 3) Users **MUST** power off the device first before connecting the antenna to it; otherwise, damage might be caused to the device itself.
- 4) The Antenna and Surge Arrestor are required for each antenna connector, and must be purchased separately.

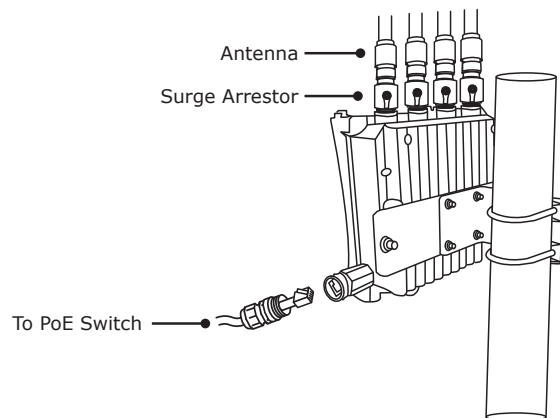
2. Physical Introduction

Hardware Description



- 2 -

- Step 2:** (1) Attach the surge arrestors to each antenna connector.
(2) Attach the antenna equipped with N-type (M) connector to each surge arrestor. Otherwise, connect the antenna through the N-male (male pin) to N-male (male pin) cable.
(3) Plug the RJ45 Ethernet cable into the PoE port of the AP through the waterproof kit, and plug the other side of the RJ45 cable into the PoE port of the PoE switch to finish the installation.
※ Please remember to finish grounding by consulting the local electrical experts.

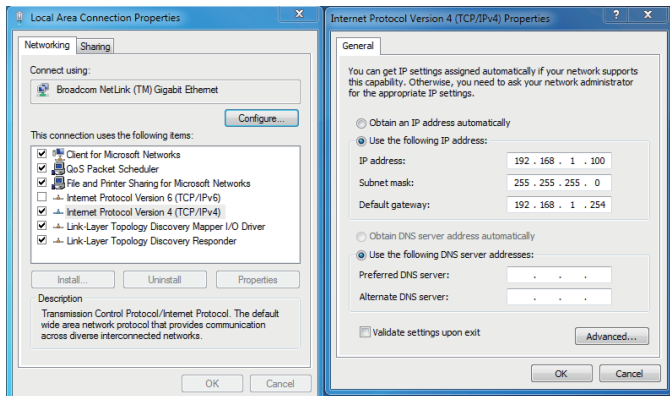


- 4 -

4. Web Login

A computer with wired Ethernet connection is required for the first-time configuration of the device.

1. Click the **"Start"** button located at the lower-left corner of your computer.
2. Click **"Control Panel"**.
3. Double-click the **"Network and Sharing Center"** icon.
4. Click **"Change Adapter Settings"**.
5. Double-click **"Local Area Connection"**.
6. Select **"Internet Protocol Version 4 (TCP/IPv4)"** and click **"Properties"**.
7. Select **"Use the following IP address"** and then click the **"OK"** button twice to save the configuration. For example, you may choose from 192.168.1.1 to 192.168.1.254 excluding the default IP address of the device (192.168.1.253).



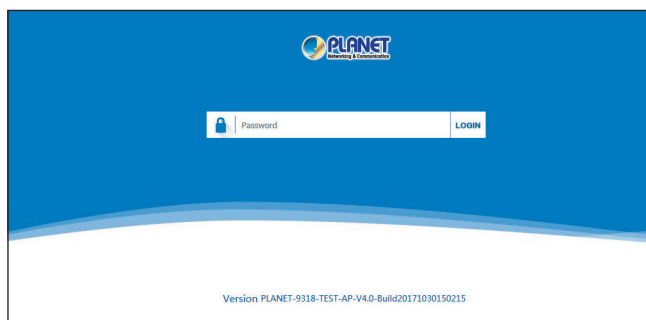
- 5 -

Default IP Address: **192.168.1.253**
Default Password: **admin**
Default 2.4GHz SSID: **PLANET_2.4G**
Default 5GHz SSID: **PLANET_5G**

Step 1: The Web management allows you to access and manage the device easily. Launch the Web browser and enter the default IP address <http://192.168.1.253>



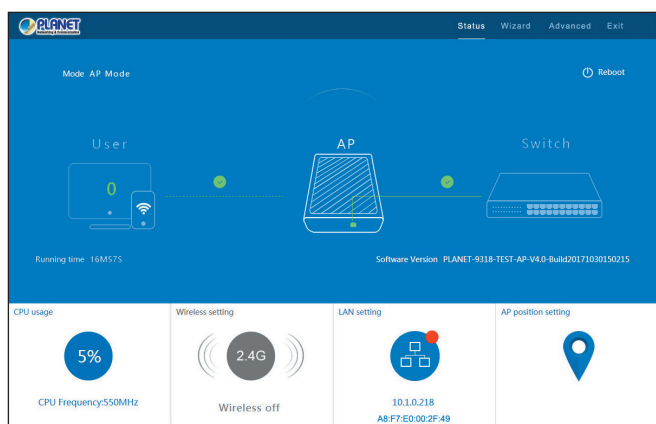
Step 2: When the login window appears, please enter the password. The default password is **"admin"**. Then click the **Login** button to continue.



For security reasons, it is recommended to change the password at the first login and memorize it.

- 6 -

Step 3: After you enter into the Web User Interface, click **Wizard** at the upper-right side of the screen to configure the wireless connection.



- 7 -

Further Information:

The above steps introduce the simple installations and configurations of the device. For further configurations, please refer to the user manual, which can be downloaded from the website.

WDAP-802AC:
<http://www.planet.com.tw/en/support/download.php?type1=4&model=49098&type=3>



If you have further questions, please contact the local dealer or distributor where you purchased this product.

PLANET Technology Corp.
10F., No 96, Minquan Rd., Xindian Dist.,
New Taipei City 231, Taiwan



2011-E10700-000

- 8 -