

**Layer 2+ 24-Port 10G SFP+ + 2-Port 40G QSFP+  
Managed Switch**

**XGS-5240-24X2QR**

Quick Installation Guide

# Table of Contents

1. Package Contents .....	3
2. Switch Management.....	4
3. Requirements .....	5
4. Terminal Setup .....	6
4.1 Logging on to the Console .....	7
4.2 Configuring IP Address .....	9
4.3 Setting 1000BASE-X for 10G SFP+ Port .....	10
4.4 Changing Password .....	10
4.5 Saving the Configuration .....	10
5. Starting Web Management .....	11
5.1 Logging in to the Managed Switch from Management Port.....	12
5.2 Saving Configuration via the Web.....	15
6. Recovering Back to Default Configuration.....	16
7. Customer Support .....	17

## 1. Package Contents

Thank you for purchasing PLANET Layer 2+ 24-Port 10G SFP+ + 2-Port 40G QSFP+ Managed Switch, XGS-5240-24X2QR.

Unless specified, "**Managed Switch**" mentioned in this Quick Installation Guide refers to the XGS-5240-24X2QR.

Open the box of the **Managed Switch** and carefully unpack it. The box should contain the following items:

- The Managed Switch x 1
- QR Code Sheet x 1
- RJ45-to-DB9 Console Cable x 1
- Power Cord x 1
- Rubber Feet x 4
- Two Rack-mounting Brackets with Attachment Screws x 6
- SFP+/QSFP+ Dust Cap x 26 (installed on the machine)

If any item is found missing or damaged, please contact your local reseller for replacement.

## 2. Switch Management

To set up the Managed Switch, the user needs to configure the Managed Switch for network management. The Managed Switch provides two management options: **Out-of-Band Management** and **In-Band Management**.

### ■ Out-of-Band Management

Out-of-band management is the management through console interface. **Generally, the user will use out-of-band management for the initial switch configuration,** or when in-band management is not available.

### In-Band Management

In-band management refers to the management by logging in to the Managed Switch using Telnet or HTTP, or using SNMP management software to configure the Managed Switch. In-band management enables the management of the Managed Switch to attach some devices to the Switch. The following procedures are required to enable in-band management:

1. Log on to console
2. Assign/Configure IP address
3. Create a remote login account
4. Enable HTTP or Telnet server on the Managed Switch

In case in-band management fails due to Managed Switch configuration changes, out-of-band management can be used for configuring and managing the Managed Switch.



Note

The Managed Switch is shipped with **Management Port** IP address **192.168.1.1/24** assigned and **VLAN1 interface** IP address **192.168.0.254/24** assigned by default. User can assign another IP address to the Managed Switch via the console interface to be able to remotely access the Managed Switch through Telnet or HTTP.

### 3. Requirements

- Workstations running Windows 7/8/10/11, macOS 10.12 or later, Linux Kernel 2.6.18 or later, or other modern operating systems are compatible with TCP/IP Protocols.
- Workstations are installed with Ethernet NIC (Network Interface Card)
- **Serial Port Connection** (Terminal)
  - The above Workstations come with COM Port (DB9) or USB-to-RS232 converter.
  - The above Workstations have been installed with terminal emulator, such as Tera Term or PuTTY.
  - Serial cable - one end is attached to the RS232 serial port, while the other end to the console port of the Managed Switch.
- **Management Port Connection**
  - Network cables - Use standard network (UTP) cables with RJ45 connectors.
  - The above PC is installed with Web browser



Note

It is recommended to use Google Chrome, Microsoft Edge or Firefox to access the Industrial Managed Switch. If the Web interface of the Industrial Managed Switch is not accessible, please turn off the anti-virus software or firewall and then try it again.

## 4. Terminal Setup

To configure the system, connect a serial cable to a **COM port** on a PC or notebook computer and to serial (console) port of the Managed Switch. The console port of the Managed Switch is DCE already, so that you can connect the console port directly through PC without the need of Null Modem.

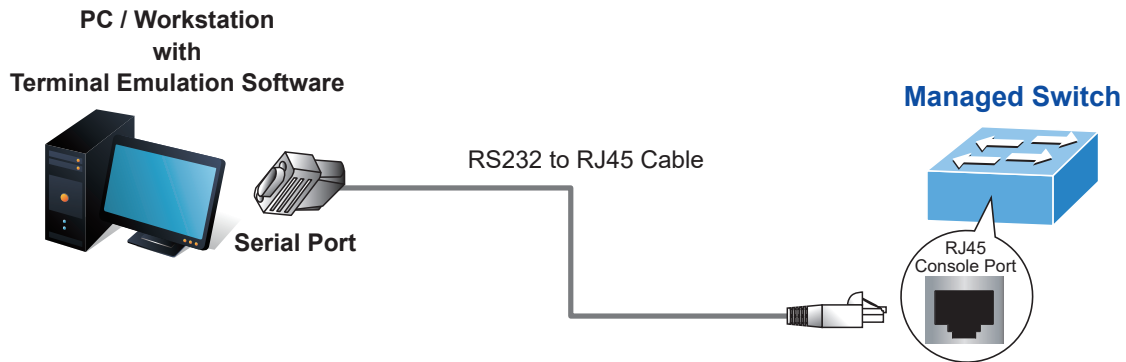


Figure 4-1: Managed Switch Console Connectivity

A terminal program is required to make the software connection to the Managed Switch. Tera Term program may be a good choice. The Tera Term can be accessed from the **Start** menu.

1. Click **START** menu, then **Programs**, and then **Tera Term**.
2. When the following screen appears, make sure that the COM port should be configured as:

- Baud: 9600
- Parity: None
- Data bits: 8
- Stop bits: 1
- Flow control: None

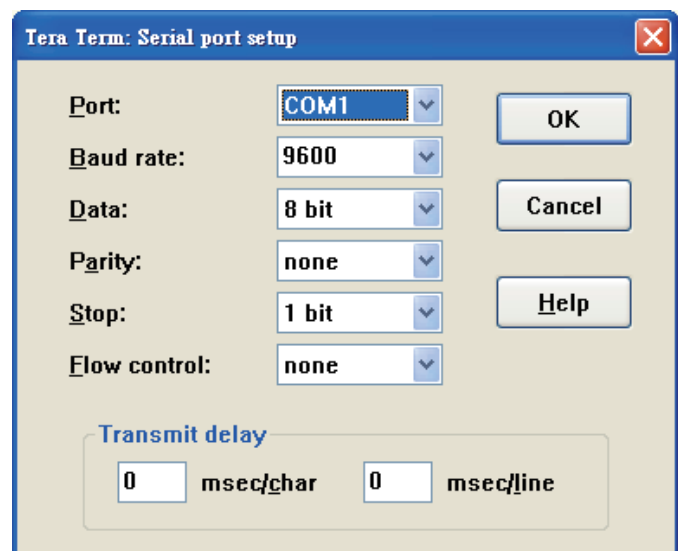


Figure 4-2: Tera Term COM Port Configuration

## 4.1 Logging on to the Console

Once the terminal is connected to the device, power on the Managed Switch, and the terminal will display **“running testing procedures”**.

Then, the following message asks for the login user name and password. The factory default user name and password are as follows as the login screen in Figure 4-3 appears.



Note

The following console screen is based on the firmware version before **Aug. of 2024**.

Username: **admin**

Password: **admin**

```
User Access Verification
```

```
Username: admin
```

```
Password:
```

```
Switch>enable
```

```
Switch#
```

**Figure 4-3:** Managed Switch Console Login Screen

The user can now enter commands to manage the Managed Switch. For a detailed description of the commands, please refer to the following chapters.



Note

1. For security reason, please change and memorize the new password after this first setup.
2. Accept command in lowercase or uppercase letter under console interface.

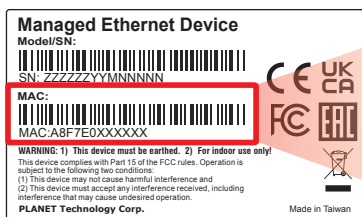


The following console screen is based on the firmware version of **Aug. of 2024 or after.**

Use rname: **admin**

Password: **sw + the last 6 characters of the MAC ID in lowercase**

Find the MAC ID on your device label. The default password is "sw" followed by the last six lowercase characters of the MAC ID.



MAC ID: A8F7E0XXXXXX  
Default Password: swxxxxxx  
("x" means the last 6 digits of the MAC address.  
All characters should be in lowercase.)

**Figure 4-4:** Managed Switch MAC ID Label

Enter the default username and password, then set a new password according to the rule-based prompt and confirm it. Upon success, press any key to return to the login prompt. Log in with "admin" and the "new password" to access the CLI.

```
Please change default password!  
  
The password must contain 8-32 characters,including upper case  
,lower case,numerals,and other symbols.Please note,spaces(blank  
s) are not accepted!  
Enter Password:*****  
Re-Enter Password:*****  
Default password has been changed!
```

**Figure 4-5:** Create a New Password and Login Again

The user can now enter commands to manage the Managed Switch. For a detailed description of the commands, please refer to the following chapters.



## 4.2 Configuring IP Address

The IP address configuration commands for **VLAN1 interface** are listed below. Before using in-band management, the Managed Switch must be configured with an IP address by out-of-band management (i.e. console mode). The configuration commands are as follows:

```
Switch# config
Switch(config)# interface vlan 1
Switch(config-if-Vlan1))# ip address 192.168.1.254 255.255.255.0
```

The previous command would apply the following settings for the Managed Switch.

```
IPv4 Address: 192.168.1.254
Subnet Mask: 255.255.255.0
```

To check the current IP address or modify a new IP address for the Managed Switch, please use the procedures as follows:

### ■ Show the current IP address

1. On "**Switch#**" prompt, enter "**show ip interface brief**".
2. The screen displays the current IP address, subnet mask and gateway as shown in Figure 4-6.

```
Switch #config
Switch(config)#interface vlan 1
Switch(config-if-vlan1)#ip address 192.168.1.254 255.255.255.0 255.255.0
Switch(config-if-vlan1)#
Switch(config-if-vlan1)#
Switch(config-if-vlan1)#exit
Switch(config)#exit
Switch
Switch#show ip interface brief
Index      Interface      IP-Address      Protocol
11001     Vlan1          192.168.1.254   down
17500     Loopback       127.0.0.1       up
```

**Figure 4-6:** Showing IP Information Screen

If the IP is successfully configured, the Managed Switch will apply the new IP address setting immediately. You can access the Web interface of Managed Switch through the new IP address.



Note

If you are not familiar with console command or the related parameter, enter "**help**" anytime in console to get the help description.

### 4.3 Setting 1000BASE-X for 10G SFP+ Port

The Managed Switch supports both **1000BASE-X** and **10GBASE-X** SFP transceivers by manual setting and the default SFP+ port speed is set to 10Gbps. For example, to establish the fiber connection with 1000BASE-X SFP transceiver in the **Ethernet 1/0/1**, the following command configuration is required:

```
Switch# config  
Switch(config)# interface ethernet 1/0/1  
Switch(config-if-ethernet 1/0/1)# speed-duplex force1g-full  
Switch(config-if-ethernet 1/0/1)# exit
```

### 4.4 Changing Password

The default password of the switch is "admin". For security reason, it is recommended to change password and the following command configuration is required:

```
Switch# config  
Switch(config)# username admin password planet2018  
Switch(config)#
```

### 4.5 Saving the Configuration

In the Managed Switch, the running configuration file stores in the RAM. In the current version, the running configuration sequence running-config can be saved from the RAM to FLASH by **write** command or **copy running-config startup-config** command, so that the running configuration sequence becomes the start-up configuration file, which is called configuration save.

```
Switch# copy running-config startup-config  
Write running-config to current startup-config successful
```

## 5. Starting Web Management

The Managed Switch provides a built-in browser interface. You can manage it remotely by having a remote host with Web browser, such as Microsoft Internet Explorer, Mozilla Firefox, Google Chrome or Apple Safari.

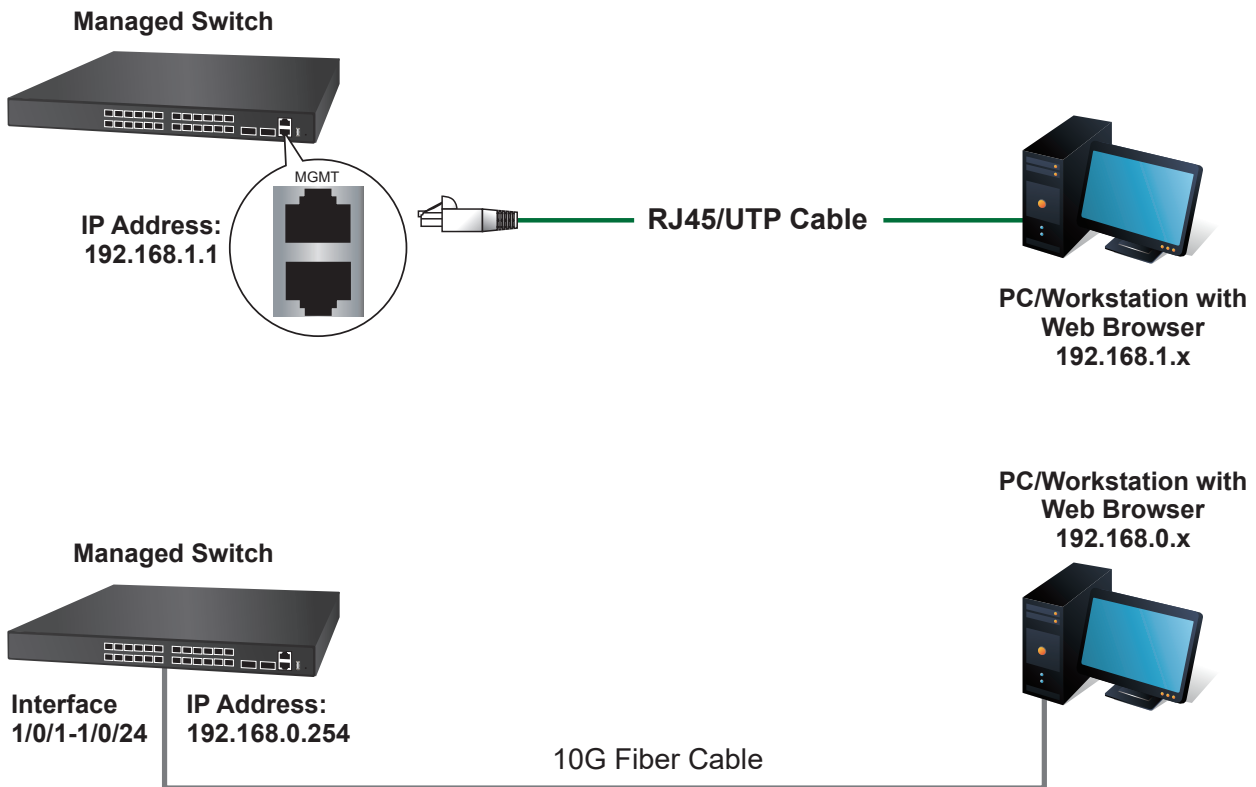


Figure 5-1: IP Management Diagram

The following shows how to start up the **Web Management** of the Managed Switch. Please note the Managed Switch is configured through an Ethernet connection. Please make sure the manager PC must be set to the same IP **subnet address**.

For example, the IP address of the Managed Switch is configured with **192.168.0.254** on **Interface VLAN 1** and **192.168.1.1** on **Management Port**, then the manager PC should be set to **192.168.0.x** or **192.168.1.x** (where x is a number between 2 and 253, except 1 or 254), and the default subnet mask is 255.255.255.0.

The factory default user name and password are as follows:

Default IP of Management Port: **192.168.1.1**  
Default IP of Interface VLAN 1: **192.168.0.254**  
Username: **admin**  
Password: **admin**

## 5.1 Logging in to the Managed Switch from Management Port

1. Use Internet Explorer 8.0 or above Web browser and enter IP address **http://192.168.1.1** (that you have just set in console) to access the Web interface.



Note

The following console screen is based on the firmware version before **Aug. of 2024**.

2. When the following dialog box appears, please enter the configured username **"admin"** and password **"admin"** (or the username/password you have changed via console). The login screen in Figure 5-2 appears.

XGS-5240-24X2QR

User name

Password

login

**Figure 5-2:** Login Screen

3. After entering the password, the main screen appears as shown in Figure 5-3.



Note

The following web screen is based on the firmware version of **May of 2024 or after**.

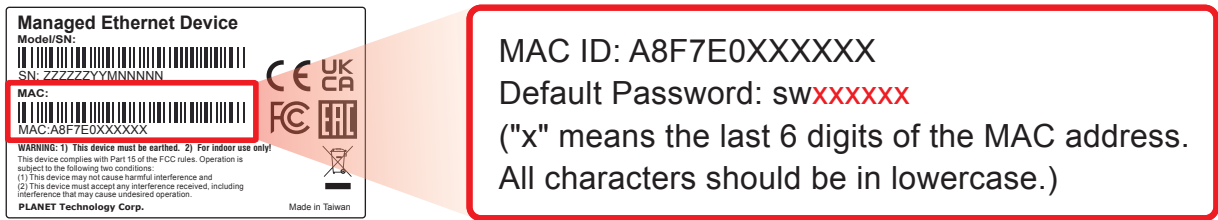
4. When the following dialog box appears, please enter the default user name **"admin"** and the password. Refer to **Section 4.1** to determine your initial login password.

Default IP Address: **192.168.0.100**

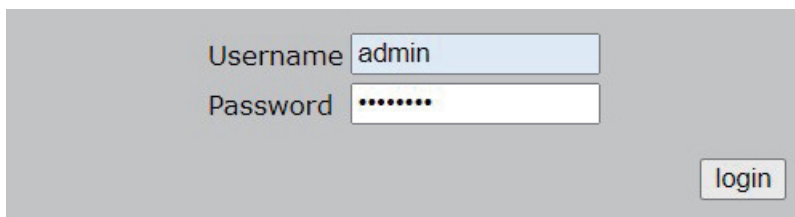
Default User Name: **admin**

Default Password: **sw + the last 6 characters of the MAC ID in lowercase**

5. Find the MAC ID on your device label. The default password is "sw" followed by the last six lowercase characters of the MAC ID.

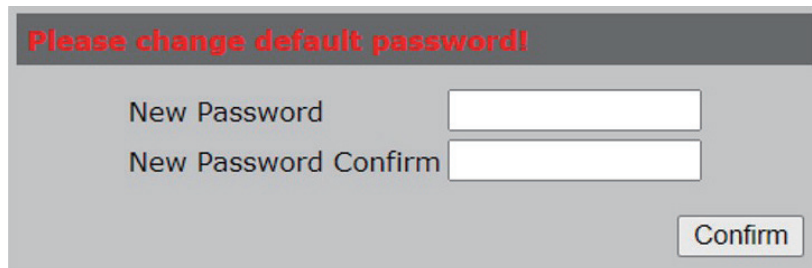


**Figure 5-3:** Industrial Managed Switch MAC ID Label



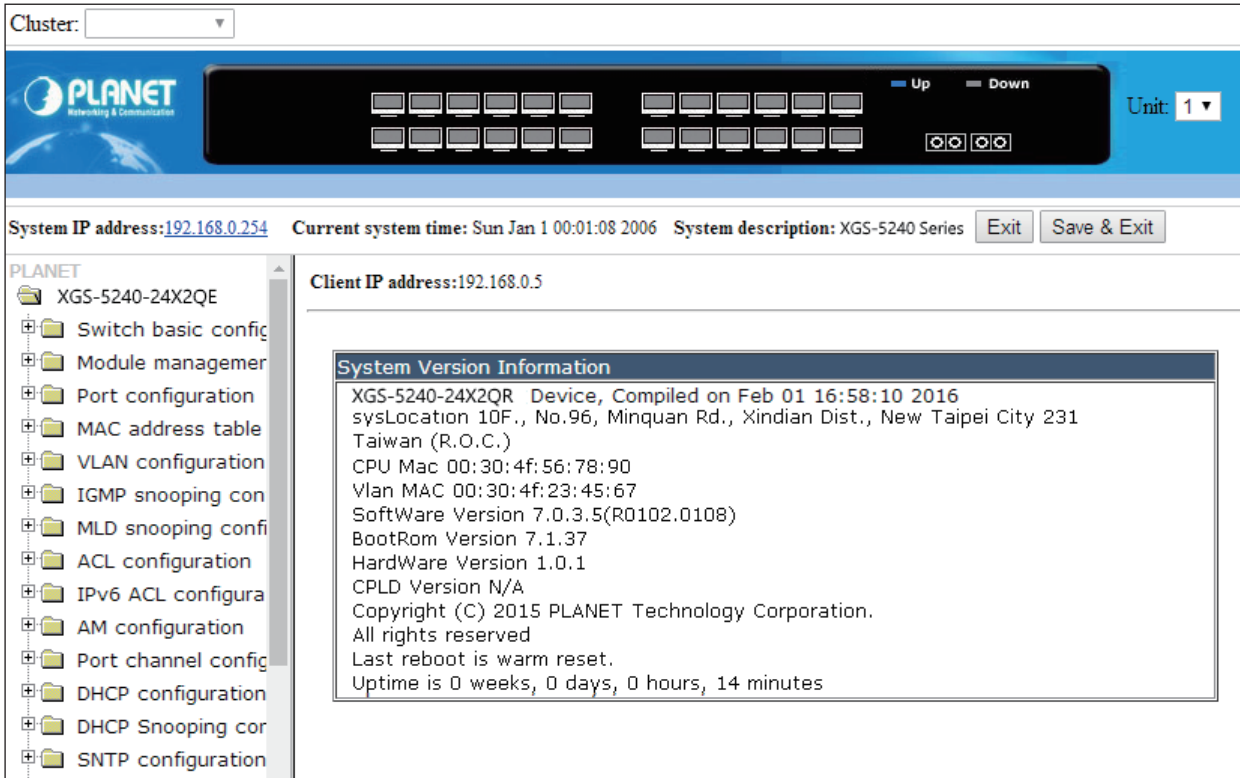
**Figure 5-4:** Login Screen

6. After logging in, you will be prompted to change the initial password to a permanent one.



**Figure 5-5:** Create a New Password

7. Enter the default username and password, then set a new password according to the rule-based prompt and confirm it. Upon success, press any key to return to the login prompt. Log in with "admin" and the "new password" to access the Web interface.



**Figure 5-6:** Web Main Screen of Managed Switch

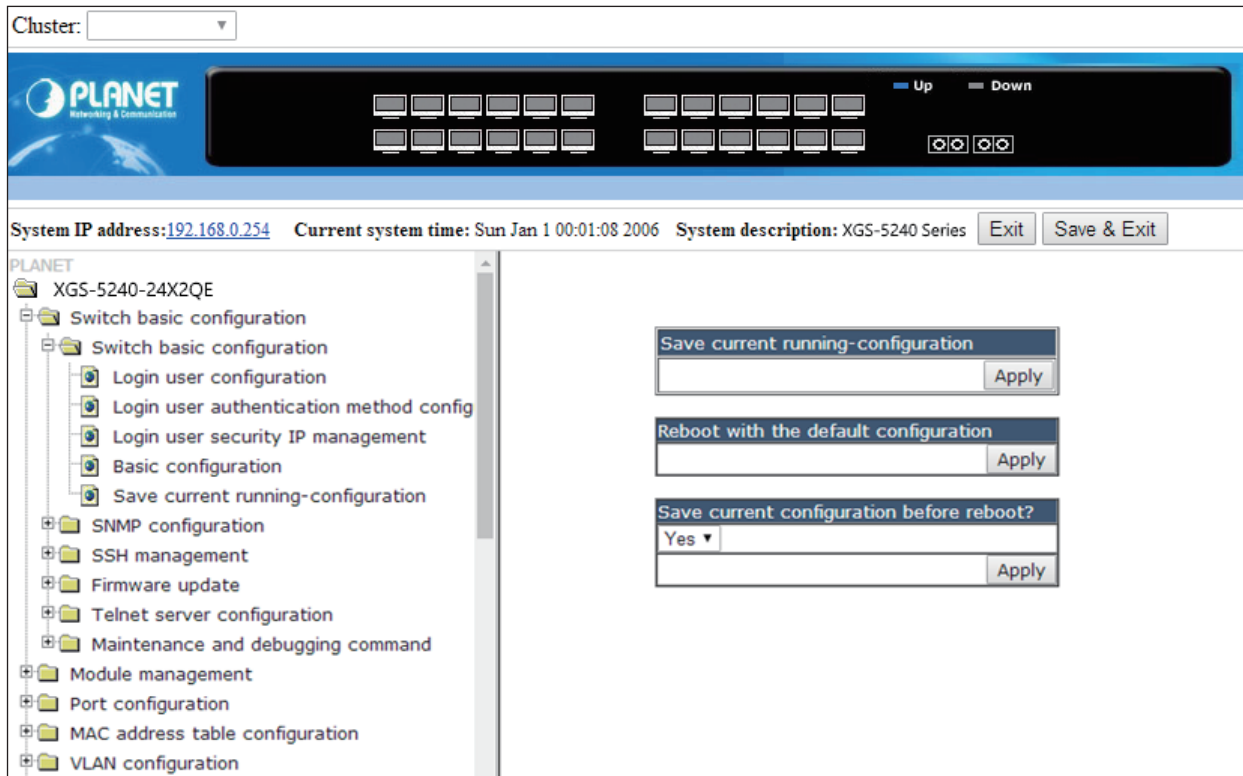
8. The Switch Menu on the left of the Web page lets you access all the commands and statistics the Switch provides.

Now, you can use the Web management interface to continue the switch management or manage the Managed Switch by console interface. Please refer to the user manual for more.

## 5.2 Saving Configuration via the Web

To save all applied changes and set the current configuration as a startup configuration, the startup-configuration file will be loaded automatically across a system reboot.

1. Click **"Switch basic configuration > Switch basic configuration > Save current running-configuration"** to log in **"Save current running-configuration" Page**.



**Figure 5-7:** Save Configuration

2. Press the **"Apply"** button to save current running-configuration to start up configuration.

## 6. Recovering Back to Default Configuration

To reset the IP address to the default IP address “**192.168.0.254**” or reset the login password to default value, press the hardware-based **reset button** on the rear panel for about **10 seconds**. After the device is rebooted, you can log in the management Web interface within the same subnet of 192.168.0.xx.

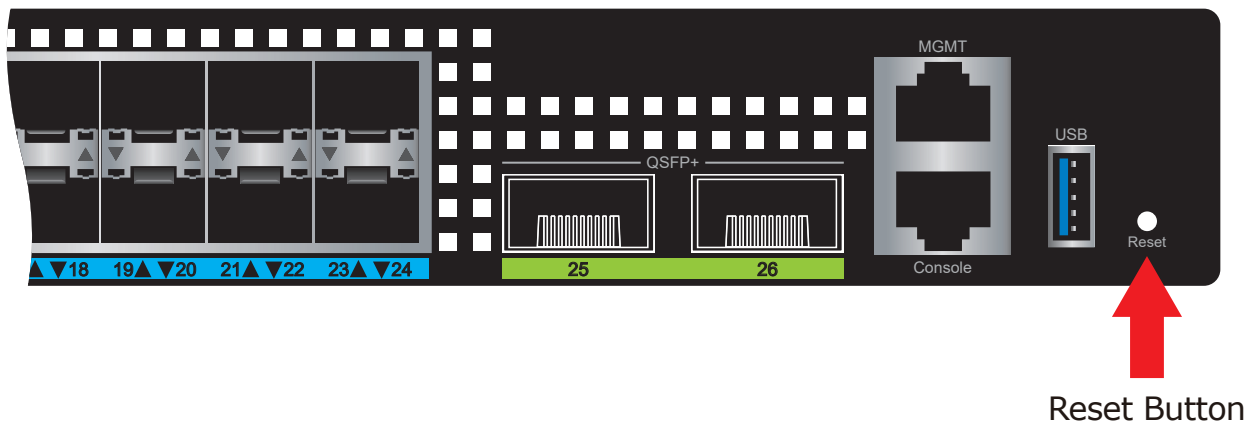


Figure 6-1: XGS-5240-24X2QR Reset Button



## **7. Customer Support**

Thank you for purchasing PLANET products. You can browse our online FAQ resource at the PLANET Web site first to check if it could solve your issue. If you need more support information, please contact PLANET switch support team.

PLANET online FAQs:

<https://www.planet.com.tw/en/support/faq>

Switch support team mail address:

[support\\_switch@planet.com.tw](mailto:support_switch@planet.com.tw)

XGS-5240-24X2QR User's Manual

<https://www.planet.com.tw/en/support/download.php?&method=keyword&keyword=XGS-5240-24X2QR&view=3#list>



Copyright © PLANET Technology Corp. 2024.

Contents are subject to revision without prior notice.

PLANET is a registered trademark of PLANET Technology Corp.

All other trademarks belong to their respective owners.