

**L3 8-Port 10/100/1000T 802.3at PoE +
2-Port 10G SFP+ Managed Switch**

GS-6320-8P2X

Quick Installation Guide

Table of Contents

1. Package Contents	3
2. Requirements	4
3. Terminal Setup	5
3.1 Logging on to Console.....	6
3.2 Configuring IP Address	8
3.3 Storing Current Switch Configuration	9
4. Starting Web Management	10
4.1 Logging in to the Managed PoE Switch	10
4.2 Saving Configuration	14
5. Recovering Back to Default Configuration.....	16
6. Customer Support	17

1. Package Contents

Thank you for purchasing PLANET Managed PoE Switch, GS-6320-8P2X.

“Managed PoE Switch” is used as an alternative name in this Quick Installation Guide.

Open the box of the Managed PoE Switch and carefully unpack it. The box should contain the following items:

- The Managed PoE Switch x 1
- Quick Installation Guide Sheet x 1
- RJ45 to RS232 Cable x 1
- Rubber Feet x 4
- Two Rack-mounting Brackets with Attachment Screws x 1
- Power Cord x 1
- SFP Dust-proof Caps x 2

If any item is found missing or damaged, please contact your local reseller for replacement.

2. Requirements

- Workstations running Windows 7/8/10/11, macOS 10.12 or later, Linux Kernel 2.6.18 or later, or other modern operating systems are compatible with TCP/IP Protocols.
- Workstations are installed with Ethernet NIC (Network Interface Card)
- **Serial Port Connection** (Terminal)
 - The above Workstations come with **COM Port** (DB9) or **USB-to-RS232** converter.
 - The above Workstations have been installed with **terminal emulator**, such as Tera Term, PuTTY or HyperTerminal included in Windows XP/2003.
 - **Serial cable** -- One end is attached to the RS232 serial port, while the other end to the console port of the Managed PoE Switch.
- **Ethernet Port Connection**
 - Network cables -- Use standard network (UTP) cables with RJ45 connectors.
 - The above PC is installed with Web browser.



Note

It is recommended to use Google Chrome, Microsoft Edge or Firefox to access the Managed PoE Switch. If the Web interface of the Managed PoE Switch is not accessible, please turn off the anti-virus software or firewall and then try it again.

3. Terminal Setup

To configure the system, connect a serial cable to a **COM port** on a PC or notebook computer and to RJ45 type of serial port of the Managed PoE Switch.

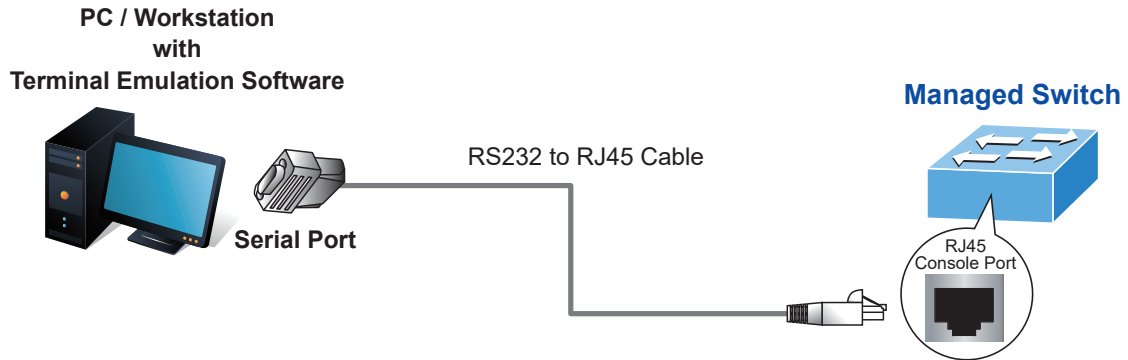


Figure 3-1: Managed PoE Switch Console Connectivity

A terminal program is required to make the software connection to the Managed PoE Switch. Putty or Tera Term may be a good choice.

1. Run terminal program Tera Term on the OS.
2. When the following screen appears, make sure that the COM port should be configured as:

- ◆ Speed: 115200
- ◆ Data: 8 bits
- ◆ Parity: None
- ◆ Stop bits: 1
- ◆ Flow control: None

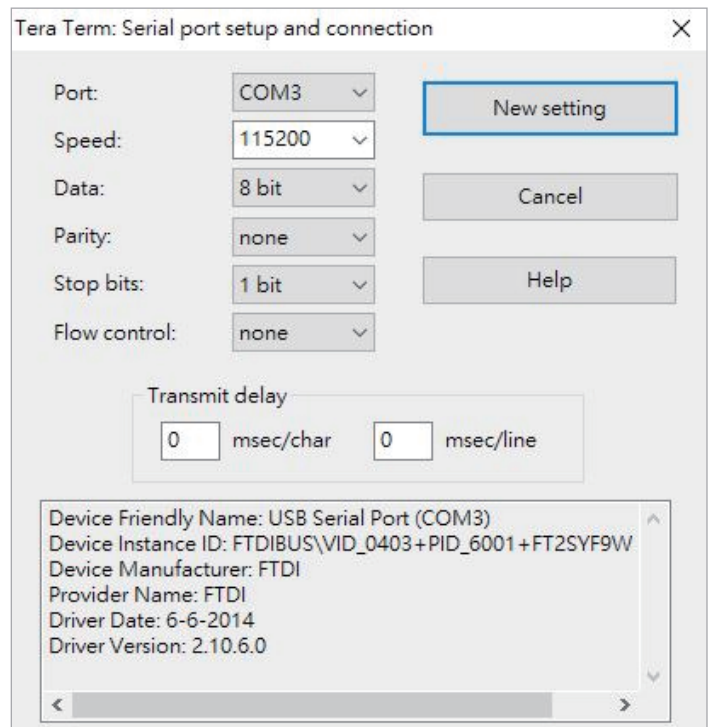


Figure 3-2: COM Port Configuration

3.1 Logging on to Console

Once the terminal is connected to the device, power on the Managed PoE Switch, and the terminal will display “running testing procedures”. Then, the following message asks to log in username and password. The factory default user name and password are shown as follows and the login screen in Figure 3-3 appears.



Note

The following console screen is based on the firmware version before **October of 2024**.

```
Username: admin  
Password: admin
```

```
Username: admin  
Password:  
GS-6320-8P2X# █
```

Figure 3-3: Managed PoE Switch Console Login Screen

The user can now enter commands to manage the Managed PoE Switch. For a detailed description of the commands, please refer to the following chapters.



Note

1. For security reason, please change and memorize the new password after this first setup.
2. Only accept command in lowercase letter under console interface.



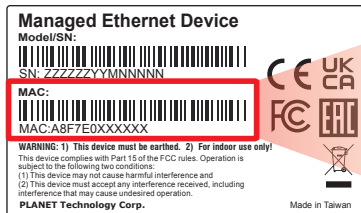
Note

The following console screen is based on the firmware version of **October of 2024 or after**.

Username: **admin**

Password: **sw + the last 6 characters of the MAC ID in lowercase**

Find the MAC ID on your device label. The default password is "sw" followed by the last six lowercase characters of the MAC ID.



MAC ID: A8F7E0XXXXXX
Default Password: swXXXXXX
("x" means the last 6 digits of the MAC address.
All characters should be in lowercase.)

Figure 3-4: MAC ID Label

Enter the default username and password, then set a new password according to the rule-based prompt and confirm it.



Figure 3-5: Industrial Managed PoE+ Switch Console Login Screen

The user can now enter commands to manage the Industrial Managed PoE+ Switch. For a detailed description of the commands, please refer to the following chapters.

3.2 Configuring IP Address

The Managed PoE Switch is shipped with default IP address shown below.

```
IP Address: 192.168.0.100  
Subnet Mask: 255.255.255.0
```

To check the current IP address or modify a new IP address for the Switch, please use the procedure as follows:

■ Show the current IP Address

1. At the “#” prompt, enter “**show ip interface brief**”.
2. The screen displays the current IP address as shown in Figure 3-6.

```
Username: admin  
Password:  
GS-6320-8P2X# show ip interface brief  
Interface Address Method Status  
-----  
VLAN 1 192.168.0.100/24 Manual UP  
GS-6320-8P2X# █
```

Figure 3-6: IP Information Screen

■ Configuring IP Address

3. At the “#” prompt, enter the following command and press **<Enter>** as shown in Figure 3-7.

```
GS-6320-8P2X # configure terminal  
GS-6320-8P2X (config)# interface vlan 1  
GS-6320-8P2X (config-if-vlan)# ip address 192.168.1.100 255.255.255.0
```

The previous command would apply the following settings for the Managed PoE Switch.

```
IP Address: 192.168.1.100  
Subnet Mask: 255.255.255.0
```

```
GS-6320-8P2X# configure terminal  
GS-6320-8P2X(config)# interface vlan 1  
GS-6320-8P2X(config-if-vlan)# ip address 192.168.1.100 255.255.255.0  
GS-6320-8P2X(config-if-vlan)# █
```

Figure 3-7: Configuring IP Address Screen

4. Repeat step 1 to check if the IP address has changed

If the IP is successfully configured, the Managed PoE Switch will apply the new IP address setting immediately. You can access the Web interface of the Managed PoE Switch through the new IP address.

3.3 Storing Current Switch Configuration

In the Managed PoE Switch, the running configuration sequence `running-config` can be saved from the RAM to FLASH by **"copy"** command, so that the running configuration sequence becomes the start-up configuration file, which is called configuration save.

At the **"#"** prompt, enter the following command and press **<Enter>**.

```
# copy running-config startup-config
```

```
GS-6320-8P2X# copy running-config startup-config
Building configuration...
% Saving 3269 bytes to flash:startup-config
GS-6320-8P2X#
```

Figure 3-8: Saving Current Configuration Command Screen



Note

If you are not familiar with the console command or the related parameter, enter **"help"** anytime in console to get the help description.

4. Starting Web Management

The following shows how to start up the **Web Management** of the Managed PoE Switch. Note the Managed PoE Switch is configured through an Ethernet connection. Please make sure the manager PC must be set to the same **IP subnet address**.

For example, the default IP address of the Managed PoE Switch is **192.168.0.100**, then the manager PC should be set to **192.168.0.x** (where x is a number between 1 and 254, except 100), and the default subnet mask is 255.255.255.0.

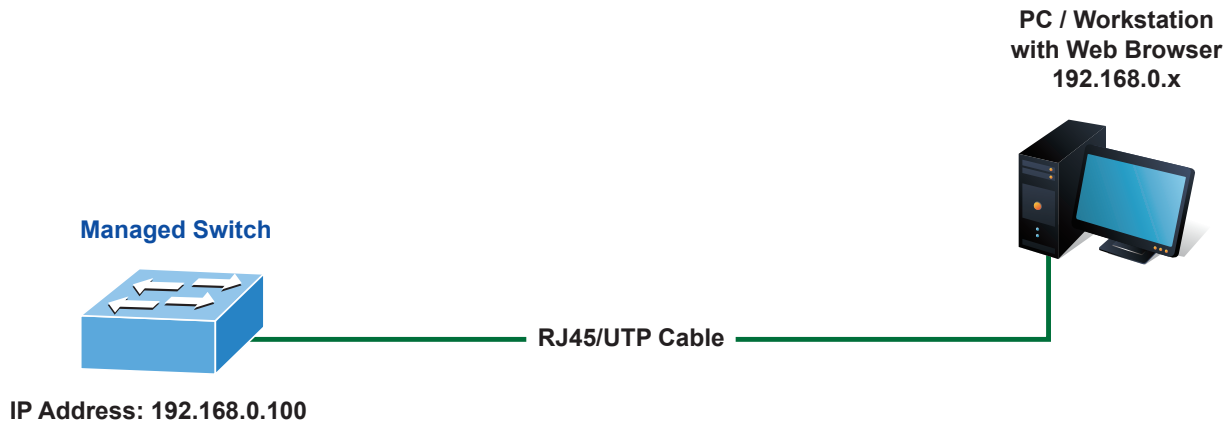


Figure 4-1: IP Management Diagram

4.1 Logging in to the Managed PoE Switch

1. Use Internet Explorer 8.0 or above Web browser and enter IP address **<https://192.168.0.100>** (the factory default IP address or the one that you have just changed in console) to access the Web interface.



Note

The following console screen is based on the firmware version before **October of 2024**.

- When the following dialog box appears, please enter the default user name and password **"admin"** (or the password you have changed via console). The login screen in Figure 4-2 appears.

Default IP Address: **192.168.0.100**
Default Username: **admin**
Default Password: **admin**

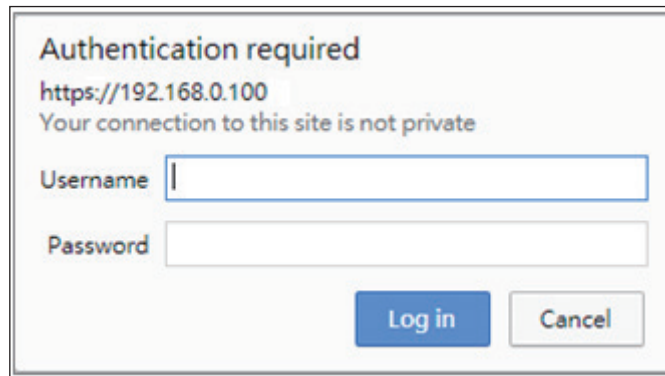


Figure 4-2: Login Screen

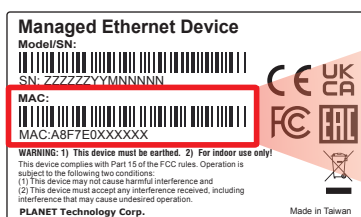


The following web screen is based on the firmware version of **October of 2024 or after**.

- When the following dialog box appears, please enter the default user name and password. Refer to **Section 4.1** to determine your initial login password.

Default IP Address: **192.168.0.100**
Default Username: **admin**
Default Password: **sw + the last 6 characters of the MAC ID in lowercase**

- Find the MAC ID on your device label. The default password is "sw" or "mc" followed by the last six lowercase characters of the MAC ID.



MAC ID: A8F7E0XXXXXX
Default Password: swxxxxxx
("x" means the last 6 digits of the MAC address.
All characters should be in lowercase.)

Figure 4-3: Industrial Managed Switch MAC ID Label



Figure 4-4: Web Login Screen

5. After logging in, you will be prompted to change the initial password to a permanent one.
6. After entering the password, the main screen appears as Figure 4-5 shows.



Figure 4-5: Web Main Screen

The Switch Menu on the top of the Web page lets you access all the commands and statistics the Managed PoE Switch provides. The Switch Menu always contains one or more buttons, such as **"System"**, **"Switching"**, **"Routing"**, **"QoS"**, **"Security"**, **"PoE"**, **"Ring"**, **"ONVIF"** and **"Maintenance"**.



Figure 4-6: Switch Menu



Figure 4-7: Switch Menu – System

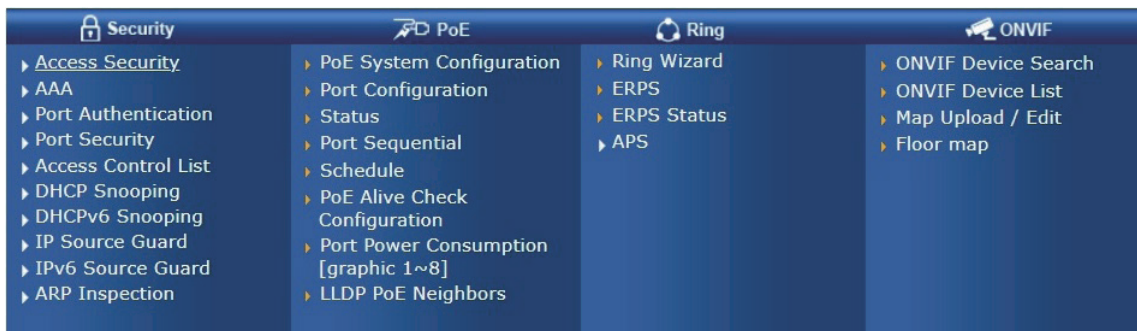


Figure 4-8: Switch Menu – Security



Figure 4-9: Switch Menu – Maintenance



If you are not familiar with Switch functions or the related parameter, press **"Helpicon"** anytime on the Web page to get the help description.

Now, you can use the Web management interface to continue the Switch management or manage the Switch by console interface.

Please refer to the user's manual for more.

4.2 Saving Configuration

To save all applied changes and set the current configuration as a startup configuration on the Web user interface, the startup-configuration file will be loaded automatically across a system reboot.

1. Click the **Save** icon on the top Switch Menu bar.

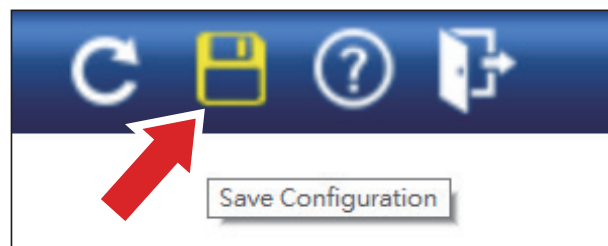
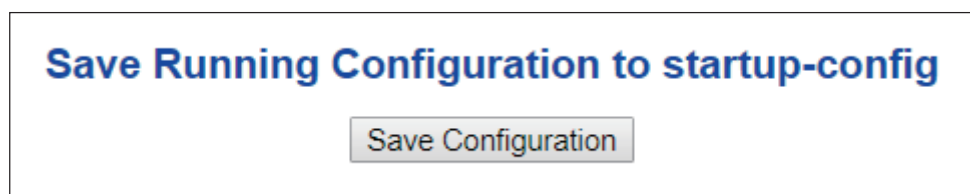


Figure 4-10: Save Config -- Hot key

2. Press the **"Save Configuration"** button.



3. Or the other way to save the setting is to Click **Maintenance, Save Startup Config.**

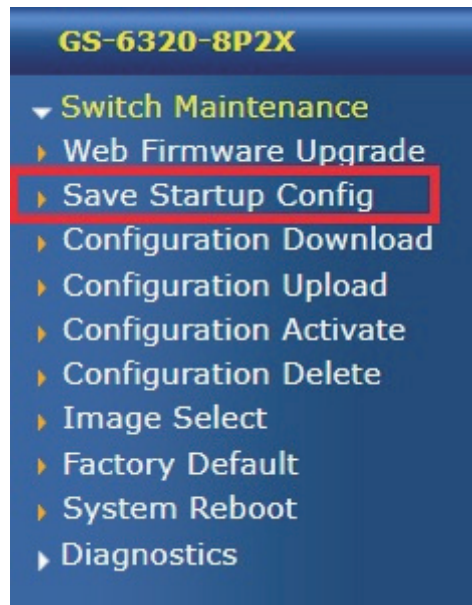


Figure 4-11: Save Config -- Maintenance

5. Recovering Back to Default Configuration

■ IP address has been changed or admin password has been forgotten –

To reset the IP address to the default IP address “**192.168.0.100**” or reset the login password to default value, press the hardware-based **reset button** on the front panel for about **10 seconds**. After the device is rebooted, you can log in the management Web interface within the same subnet of 192.168.0.xx.

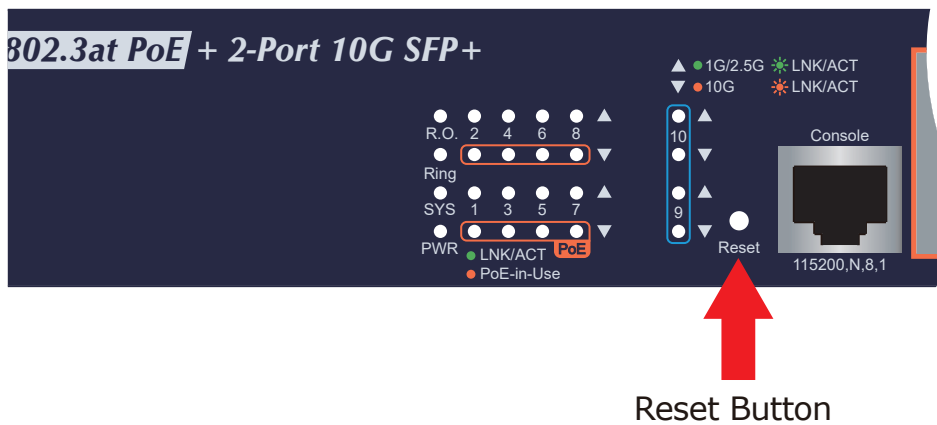


Figure 5-1: GS-6320-8P2X Reset Button

6. Customer Support

Thank you for purchasing PLANET products. You can browse our online FAQs resource and User's Manual on PLANET Web site first to check if it could solve your issue. If you need more support information, please contact PLANET switch support team.

PLANET online FAQs:

<http://www.planet.com.tw/en/support/faq>

Switch support team mail address:

support@planet.com.tw

GS-6320-8P2X User's Manual:

<https://www.planet.com.tw/en/support/downloads?&method=keyword&keyword=gs-6320&view=3#list>



(Please select your switch model name from the drop-down menu of Product Model.)

Copyright © PLANET Technology Corp. 2024.

Contents are subject to revision without prior notice.

PLANET is a registered trademark of PLANET Technology Corp.

All other trademarks belong to their respective owners.