

**Industrial L2+ 16-Port 10/100/1000T + 4-Port
100/1000X SFP Managed Ethernet Switch**

IGS-5225-16T4S

Quick Installation Guide

Table of Contents

1. Package Contents	3
2. Requirements	4
3. Wiring DC Power Inputs	5
4. Terminal Setup	6
5. Logging On to The Console.....	7
6. Configuring IP Address via Console	9
7. Starting Web Management	11
8. Saving Configuration via Web	16
9. Recovering Back to Default Configuration.....	17
10. Customer Support	18

1. Package Contents

Thank you for purchasing PLANET Industrial L2+ 16-Port 10/100/1000T + 4-Port 100/1000X SFP Managed Ethernet Switch, IGS-5225-16T4S. In the following sections, the term “**Industrial Managed Switch**” means the IGS-5225-16T4S.

Open the box of the Industrial Managed Switch and carefully unpack it.

The box should contain the following items:

<input checked="" type="checkbox"/> The Industrial Managed Switch	x 1
<input checked="" type="checkbox"/> QR Code Sheet	x 1
<input checked="" type="checkbox"/> DB9 to RJ45 Console Cable	x 1
<input checked="" type="checkbox"/> Rubber Feet	x 4
<input checked="" type="checkbox"/> Rack Mount Accessory Kit	x 1
<input checked="" type="checkbox"/> AC Power Cord	x 1
<input checked="" type="checkbox"/> SFP Dust Cap	x 4
<input checked="" type="checkbox"/> RJ45 Dust Cap	x 17

If any of these are missing or damaged, please contact your dealer immediately; if possible, retain the carton including the original packing material, and use them again to repack the product in case there is a need to return it to us for repair.

2. Requirements

- **Workstations** running Windows 7/8/10/11, macOS 10.12 or later, Linux Kernel 2.6.18 or later, or other modern operating systems are compatible with TCP/IP Protocols.
- Workstations are installed with Ethernet NIC (Network Interface Card).
- **Serial Port Connection** (Terminal)
 - The above Workstations come with **COM Port** (DB9) or USB-to-RS232 converter.
 - The above Workstations have been installed with **terminal emulator**, such as Hyper Terminal included in Windows XP/2003, putty or tera term.
 - Serial cable -- one end is attached to the RS232 serial port, while the other end to the console port of the Industrial Managed Switch.
- **Ethernet Port Connection**
 - Network cables -- Use standard network (UTP) cables with RJ45 connectors.
 - The above PC is installed with **Web browser**.



Note

It is recommended to use Google Chrome, Microsoft Edge or Firefox to access the Industrial Managed Switch. If the Web interface of the Industrial Managed Switch is not accessible, please turn off the anti-virus software or firewall and then try it again.

3. Wiring DC Power Inputs

The 6-contact terminal block connector on the front panel of Industrial Managed Switch is used for two DC redundant power inputs. Please follow the steps below to insert the power wires.

1. Insert positive/negative DC power wires into contacts 1 and 2 for DC POWER 1, or 5 and 6 for DC POWER 2.

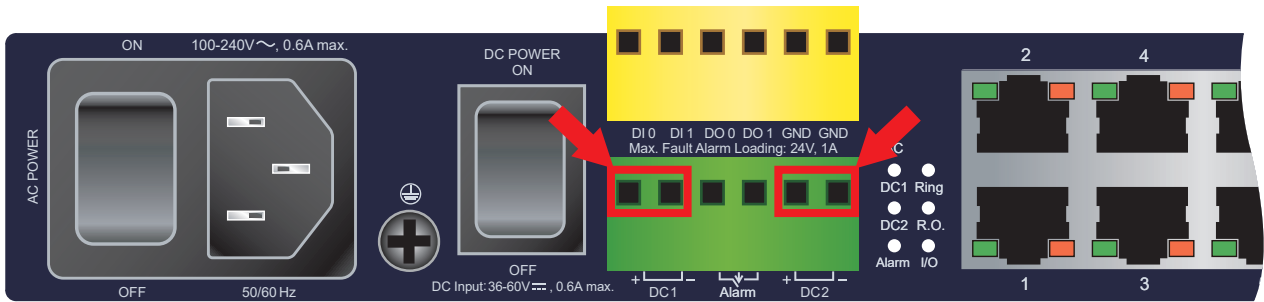
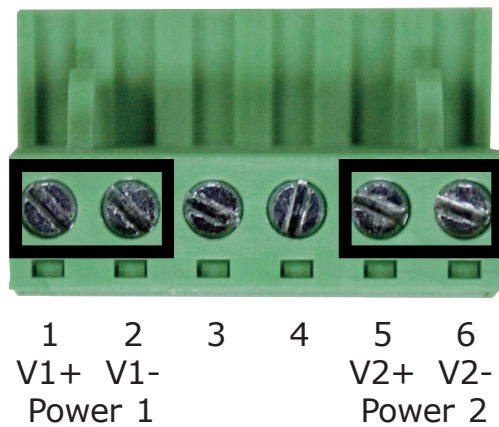


Figure 3-1: IGS-5225-16T4S Power Wiring

2. Tighten the wire-clamp screws for preventing the wires from loosening.



Model	Positive (+) Pin	Negative (-) Pin
IGS-5225-16T4S	Pin 1/5	Pin 2/6

The wire gauge for the terminal block should be in the range between **12** and **24 AWG**.

Note

4. Terminal Setup

To configure the system, connect a serial cable to a **COM port** on a PC or notebook computer and to RJ45 type of serial port of the Industrial Managed Switch.

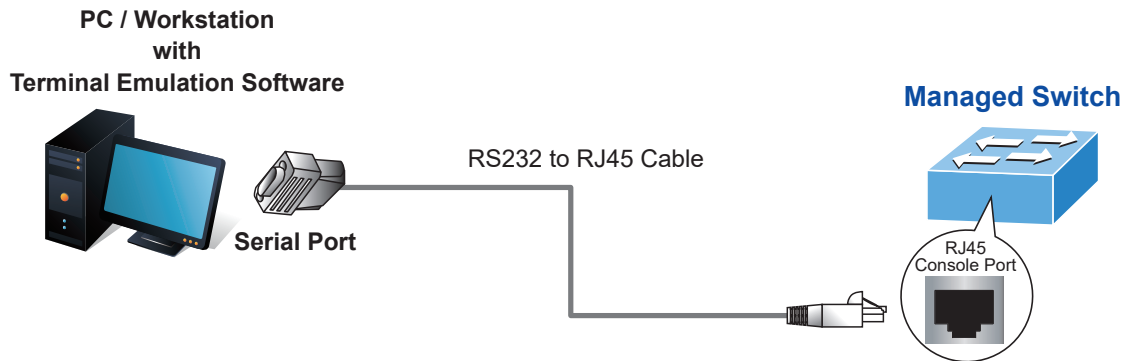


Figure 4-1: Industrial Managed Switch Console Connectivity

A terminal program is required to make the software connection to the Industrial Managed Switch.

1. Run terminal program on the OS.
2. When the following screen appears, make sure that the COM port should be configured as:

- ◆ Baud: 115200
- ◆ Data bits: 8
- ◆ Parity: None
- ◆ Stop bits: 1
- ◆ Flow control: None

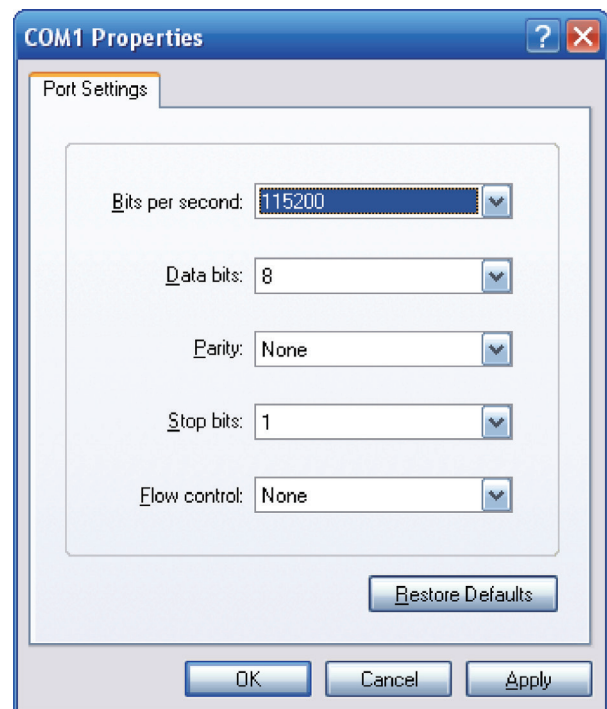


Figure 4-2: COM Port Configuration

5. Logging On to The Console

Once the terminal is connected to the device, power on the Industrial Managed Switch and the terminal will display “**running testing procedures**”.

Then, the following message asks to log in user name and password. The factory default user name and password are shown as follows and the login screen in Figure 5-1 appears.



Note

The following console screen is based on the firmware version before **March of 2024**.

Username: **admin**

Password: **admin**

```
Press ENTER to get started  
  
Username: admin  
Password:  
IGS-5225-16T4S#
```

Figure 5-1: Industrial Managed Switch Console Login Screen

The user can now enter commands to manage the Industrial Managed Switch. For a detailed description of the commands, please refer to the following chapters.



Note

1. For security reason, please change and memorize the new password after this first setup.
2. Only accept command in lowercase letter under console interface.

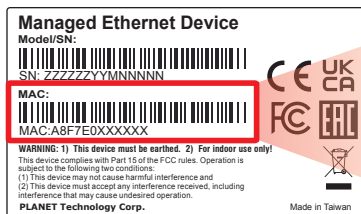


The following console screen is based on the firmware version of **March of 2024 or after**.

User name: **admin**

Password: **sw + the last 6 characters of the MAC ID in lowercase**

Find the MAC ID on your device label. The default password is "sw" or "mc" followed by the last six lowercase characters of the MAC ID.



MAC ID: A8F7E0XXXXXX

Default Password: swXXXXXX

("x" means the last 6 digits of the MAC address.
All characters should be in lowercase.)

Figure 5-2: Managed Switch MAC ID Label

Enter the default username and password, then set a new password according to the rule-based prompt and confirm it. Upon success, press any key to return to the login prompt. Log in with "admin" and the "new password" to access the CLI.

```
Generating file "startup-config.cfg"
===== Generating Startup Config Fil

===== Backup Config File Synchroniz
===== Backup Config File Synchroniz

Press any key to continue
Username: admin
Password: b*77*9*****
You are required to change and store
Please store your new password in a
Once configured, also store a copy o
Password: The password must contain
(New) Password: *****
Verify (New)Password: *****
Success.
Press any key to continue
Username: admin
Password: *****
IGS-5225-16T4S#
```

Figure 5-3: Create a New Password and Login Again

The user can now enter commands to manage the Managed Switch. For a detailed description of the commands, please refer to the following chapters.

6. Configuring IP Address via Console

The Industrial Managed Switch is shipped with default IP address shown below.

```
IP Address: 192.168.0.100  
Subnet Mask: 255.255.255.0
```

To check the current IP address or modify a new IP address for the Switch, please use the procedure as follows:

■ Show the current IP Address

1. At the “#” prompt, enter “**show ip interface brief**”.
2. The screen displays the current IP address as shown in Figure 6-1.

```
IGS-5225-16T4S# show ip interface brief  
Vlan Address Method Status  
-----  
1 192.168.0.100/24 Manual UP  
IGS-5225-16T4S#
```

Figure 6-1: IP Information Screen

■ Configuring IP Address

3. At the “#” prompt, enter the following command and press **<Enter>** as shown in Figure 6-2.

```
IGS-5225-16T4S# configure terminal  
IGS-5225-16T4S (config) # interface vlan 1  
IGS-5225-16T4S (config-if-vlan) # ip address 192.168.1.100 255.255.255.0
```

The previous command would apply the following settings for the Industrial Managed Switch.

```
IP Address: 192.168.1.100  
Subnet Mask: 255.255.255.0
```

```
IGS-5225-16T4S# configure terminal  
IGS-5225-16T4S(config)# interface vlan 1  
IGS-5225-16T4S(config-if-vlan)# ip address 192.168.1.100 255.255.255.0  
IGS-5225-16T4S(config-if-vlan)#
```

Figure 6-2: Configuring IP Address Screen

4. Repeat step 1 to check if the IP address has changed.

■ Storing the current switch configuration

5. At the “#” prompt, enter the following command and press **<Enter>**.

```
# copy running-config startup-config
```

```
IGS-5225-16T4S# copy running-config startup-config
Building configuration...
% Saving 2254 bytes to flash:startup-config
IGS-5225-16T4S#
```

Figure 6-3: Saving Current Configuration Command Screen

If the IP is successfully configured, the Industrial Managed Switch will apply the new IP address setting immediately. You can access the Web interface of the Industrial Managed Switch through the new IP address.



Note

If you are not familiar with the console command or the related parameter, enter “**help**” anytime in console to get the help description.

7. Starting Web Management

The following shows how to start up the Web Management of the Industrial Managed Switch. Note the Industrial Managed Switch is configured through an Ethernet connection. Please make sure the manager PC must be set to the same **IP subnet address**.

For example, the default IP address of the Industrial Managed Switch is **192.168.0.100**, then the manager PC should be set to **192.168.0.x** (where x is a number between 1 and 254, except 100), and the default subnet mask is 255.255.255.0.

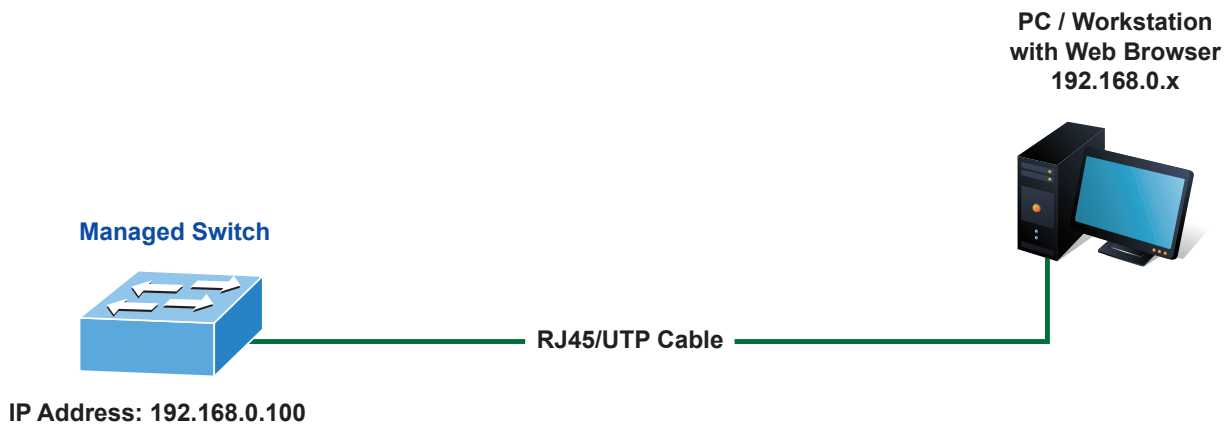


Figure 7-1: IP Management Diagram

Logging in to the Industrial Managed Switch

1. Use Chrome 98.0.xxx or above Web browser and enter IP address **https://192.168.0.100** (the factory default IP address or the one that you have just changed in console) to access the Web interface.



Note

The following console screen is based on the firmware version before **March of 2024**.

2. When the following dialog box appears, please enter the default user name and password **"admin"** (or the password you have changed via console). The login screen in Figure 7-2 appears.

Default Username: **admin**

Default Password: **admin**

Authentication required

https://192.168.0.100
Your connection to this site is not private

Username

Password

Log in Cancel

Figure 7-2: Web Login Screen

3. After entering the password, the main screen appears as Figure 7-6 shows.



The following web screen is based on the firmware version of **March of 2024 or after**.

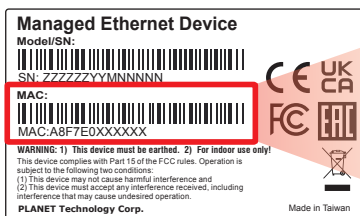
- When the following dialog box appears, please enter the default user name **"admin"** and the password. Refer to Section 5.1 to determine your initial login password.

Default IP Address: **192.168.0.100**

Default User Name: **admin**

Default Password: **sw + the last 6 characters of the MAC ID in lowercase**

- Find the MAC ID on your device label. The default password is "sw" or "mc" followed by the last six lowercase characters of the MAC ID.



MAC ID: A8F7E0XXXXXX

Default Password: swXXXXXX

("x" means the last 6 digits of the MAC address.

All characters should be in lowercase.)

Figure 7-3: Industrial Managed Switch MAC ID Label

Figure 7-4: Login Screen

- After logging in, you will be prompted to change the initial password to a permanent one.

Change Password

New Password		
Password	<input type="password"/>	<input type="checkbox"/> show password
Retype Password	<input type="password"/>	

The password must contain 8-31 characters, including upper case, lower case, numerals and other symbols. Please note, spaces (blanks) are not accepted.

Figure 7-5: Create a New Password

- Enter the default username and password, then set a new password according to the rule-based prompt and confirm it. Upon success, press any key to return to the login prompt. Log in with "admin" and the "new password" to access the Web interface.



Figure 7-6: Web Main Screen of Industrial Managed Switch

The Switch Menu on the top of the Web page lets you access all the commands and statistics the Industrial Managed Switch provides. The Switch Menu always contains one or more buttons, such as "System", "Switching", "QoS", "Security", "Ring", "Maintenance", "Refresh", "Save", "Help" and "Logout".



Figure 7-7: Switch Menu

The Switch Menu on the left of the Web page let you access all the commands and statistics the Industrial Managed Switch provides.



Figure 7-8: Switch Menu



Note

If you are not familiar with Switch functions or the related parameter, press the **"Help icon"** anytime on the Web page to get the help description.

Now, you can use the Web management interface to continue the Switch management or manage the Switch by console interface.

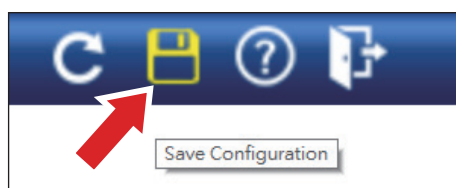
Please refer to the user's manual for more.

8. Saving Configuration via Web

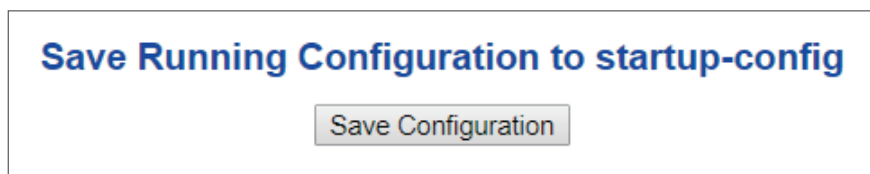
In the Industrial Managed Switch, the running configuration file stores in the RAM. In the current version, the running configuration sequence of **running-config** can be saved from the RAM to FLASH by executing save startup config command, so that the running configuration sequence becomes the startup configuration file, which is called configuration save.

To save all applied changes and set the current configuration as a startup configuration on the Web user interface, the startup-configuration file will be loaded automatically across a system reboot.

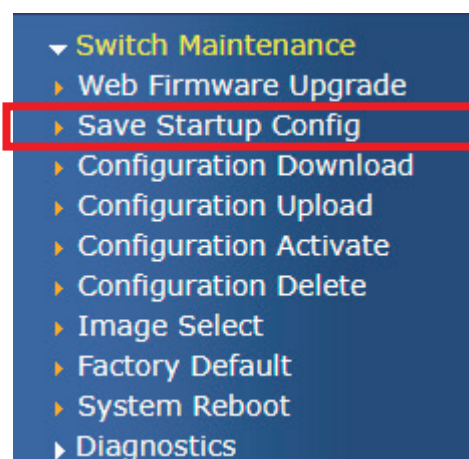
1. Click the **Save** icon on the top Switch Menu bar.



2. Press the **"Save Configuration"** button.



3. Or the other way to save the setting is to Click **Maintenance, Save Startup Config**.



9. Recovering Back to Default Configuration

■ IP address has been changed or admin password has been forgotten –

To reset the IP address to the default IP Address "192.168.0.100" and the user name password to factory default mode (default password is admin or sw + the last 6 characters of the MAC ID in lowercase), press the hardware **reset button** on the front panel for about **10 seconds**. After the device is rebooted, you can log in the management Web interface within the same subnet of 192.168.0.xx.

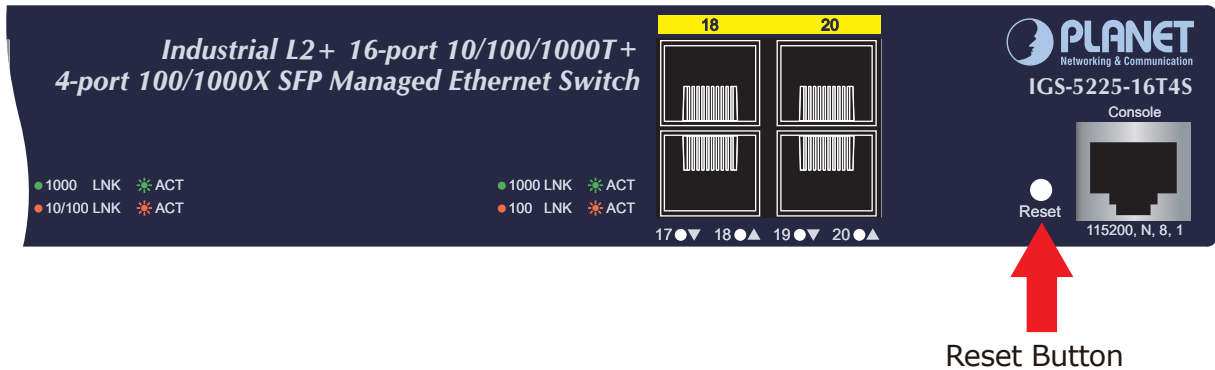


Figure 9-1: IGS-5225-16T4S Reset Button

10. Customer Support

Thank you for purchasing PLANET products. You can browse our online FAQ resource on PLANET web site first to check if it could solve your issue. If you need more support information, please contact PLANET switch support team.

PLANET online FAQs:

<https://www.planet.com.tw/en/support/faq>

Switch support team mail address:

support@planet.com.tw

Industrial User's Manual:

<https://www.planet.com.tw/en/support/downloads?&method=keyword&keyword=IGS-5225&view=3#list>



(Please select your switch model name from the drop-down menu of Product Models.)

Copyright © PLANET Technology Corp. 2024.

Contents are subject to revision without prior notice.

PLANET is a registered trademark of PLANET Technology Corp.

All other trademarks belong to their respective owners.